



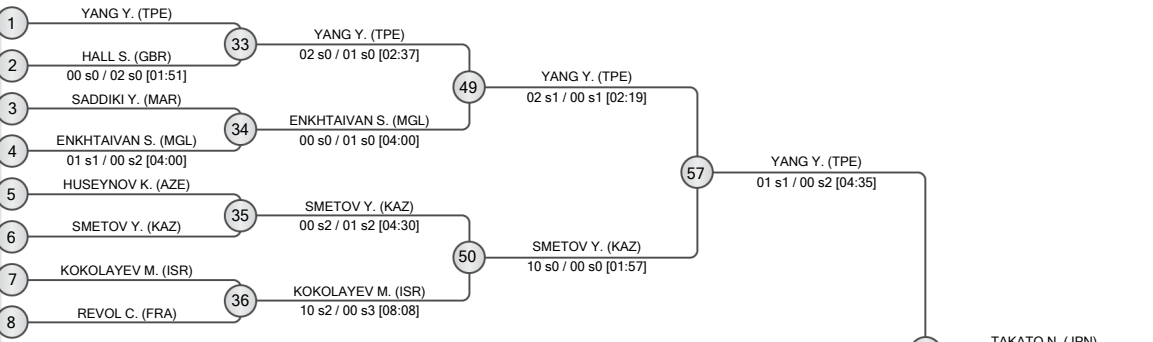
Tashkent World Championships Senior 2022

Uzbekistan, Tashkent, 6-12 Oct 2022

-60 kg
Men (42)

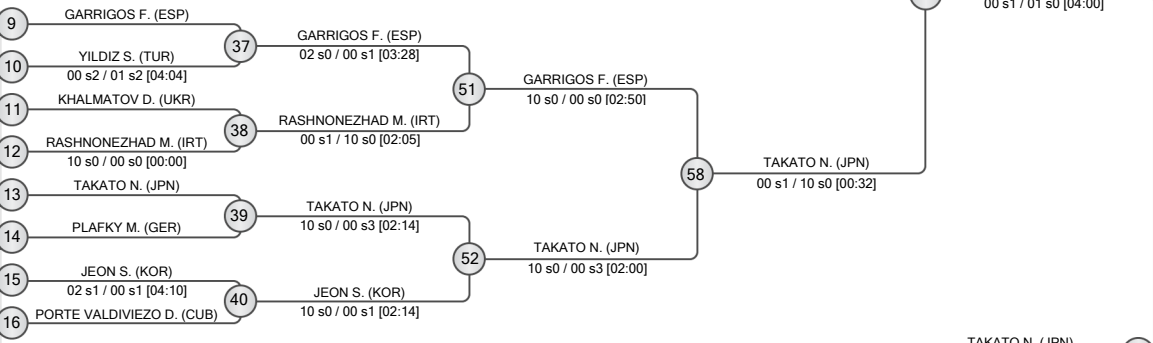
POOL A

1	YANG Yung Wei	TPE
2	KUWABARA Allan	BRA
3	HALL Samuel	GBR
4	SADDIKI Younes	MAR
5	ENKHTAIVAN Sumiyabazar	MGL
6	SAMY Yousry	EGY
7	HUSEYNOV Karamat	AZE
8	SMETOV Yeldos	KAZ
9	KOKOLAYEV Matan	ISR
10	REVOL Cedric	FRA



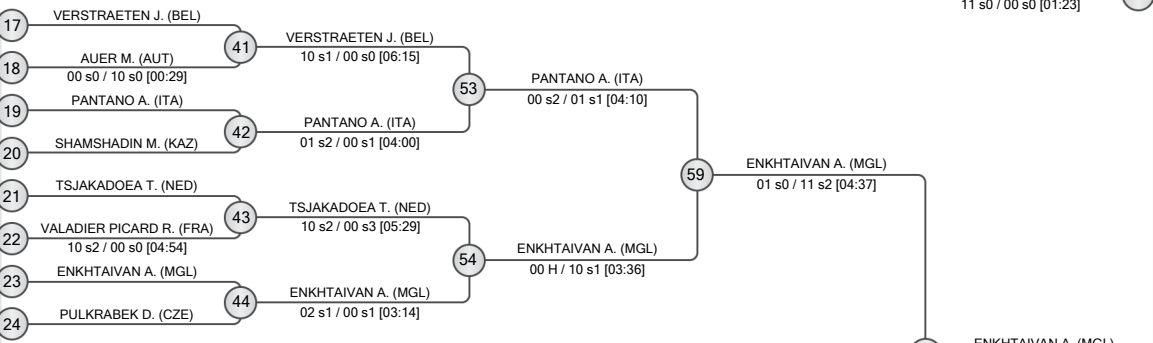
POOL B

9	GARRIGOS Francisco	ESP
10	STARKEL David	SLO
11	YILDIZ Salih	TUR
12	KHALMATOV Dilshot	UKR
13	RASHNONEZHAD Mohammad	IRT
14	JUMAYEV Hakberdi	TKM
15	TAKATO Naohisa	JPN
16	PLAFKY Moritz	GER
17	JEON Seungbeom	KOR
18	KARAKIZIDI Sawva	GRE
19	PORTE VALDIVIEZO Danny	CUB



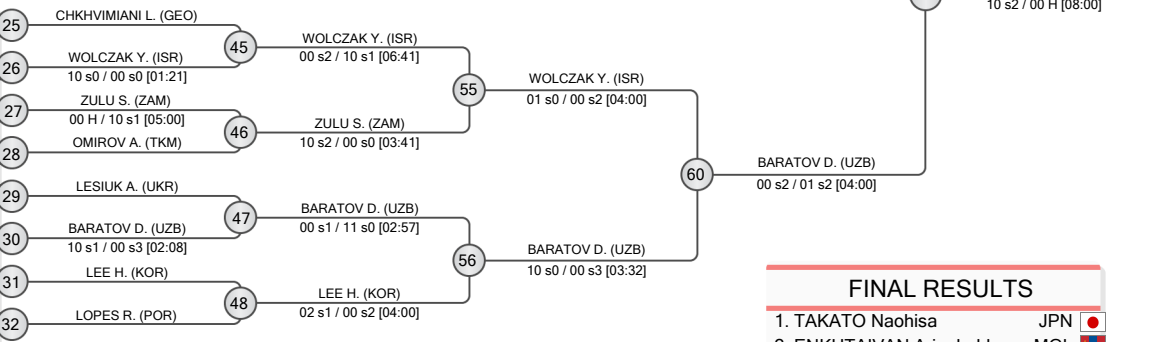
POOL C

17	VERSTRAETEN Jorre	BEL
18	SEIBOU KANGAYE Souleymane	NIG
19	AUER Marcus	AUT
20	PANTANO Angelo	ITA
21	SHAMSHADIN Magzhan	KAZ
22	TSJAKADOEVA Tornike	NED
23	VALADIER PICARD Romain	FRA
24	YRYSBEKOV Khanbolot	KGZ
25	ENKHTAIVAN Ariunbold	MGL
26	PULKRABEK David	CZE

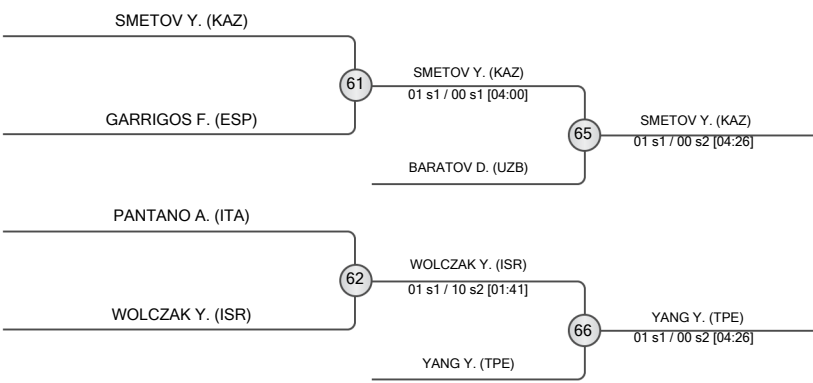


POOL D

25	CHKHVIMIANI Lukhumi	GEO
26	WOLCZAK Yam	ISR
27	DIAZ Adonis	USA
28	DABONE Daouda	CIV
29	ZULU Simon	ZAM
30	OMIROV Aybek	TKM
31	LESIUK Artem	UKR
32	BARATOV Dilshodbek	UZB
33	AKKASH Mohamad	IRT
34	LEE Harim	KOR
35	LOPES Rodrigo Costa	POR



REPECHAGE



FINAL RESULTS		
1.	TAKATO Naohisa	JPN
2.	ENKHTAIVAN Ariunbold	MGL
3.	SMETOV Yeldos	KAZ
4.	YANG Yung Wei	TPE
5.	BARATOV Dilshodbek	UZB
6.	WOLCZAK Yam	ISR
7.	PANTANO Angelo	ITA
8.	GARRIGOS Francisco	ESP





Tashkent World Championships Senior 2022

Uzbekistan, Tashkent, 6-12 Oct 2022

-66 kg
Men (44)

POOL A

1	VIERU Denis (MDA)	VIERU D. (MDA)
2	BUNCIC Strahinja (SRB)	BUNCIC S. (SRB)
3	FLICKER Tal (ISR)	FLICKER T. (ISR)
4	SLAMBERGER Lennart (GER)	SLAMBERGER L. (GER)
5	POSTIGOS Juan (PER)	POSTIGOS J. (PER)
6	GAITERO MARTIN Alberto (ESP)	GAITERO MARTIN A. (ESP)
7	SAFAROV Orkhan (AZE)	SAFAROV O. (AZE)
8	WAIZENEGGER Freddy (SUI)	WAIZENEGGER F. (SUI)
9	ALHASSANE Ismael (NIG)	ALHASSANE I. (NIG)
10	NURILLAEV Sardor (UZB)	NURILLAEV S. (UZB)
11	IADOV Bogdan (UKR)	IADOV B. (UKR)

POOL B

9	ABE Hifumi (JPN)	ABE H. (JPN)
10	TAKABATAKE Eric (BRA)	TAKABATAKE E. (BRA)
11	SAHA Luukas (FIN)	SAHA L. (FIN)
12	POLANCO Orlando (CUB)	POLANCO O. (CUB)
13	EMOMALI Nurali (TJK)	EMOMALI N. (TJK)
14	YONDONPERENLEI Baskhuu (MGL)	YONDONPERENLEI B. (MGL)
15	ABDELMAWGOUD Mohamed (EGY)	ABDELMAWGOUD M. (EGY)
16	KODZHAKOV Ramazan (BRN)	KODZHAKOV R. (BRN)
17	MANZI Elios (ITA)	MANZI E. (ITA)
18	TE MELKOV Bozhidar (BUL)	TE MELKOV B. (BUL)
19	MUNGANDU Steven (ZAM)	MUNGANDU S. (ZAM)

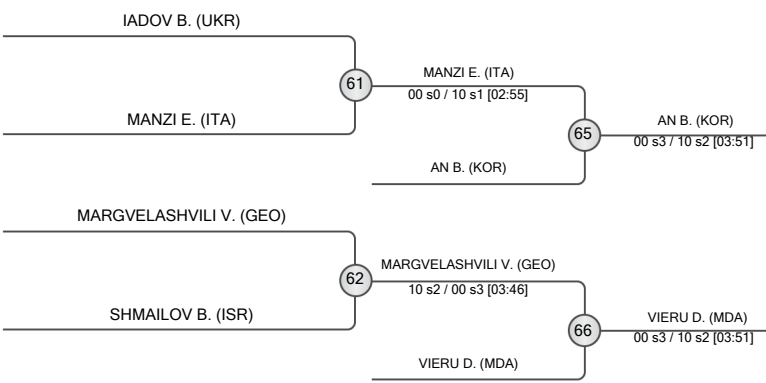
POOL C

17	MARGVELASHVILI Vazha (GEO)	MARGVELASHVILI V. (GEO)
18	BOUSHITA Abderrahmane (MAR)	BOUSHITA A. (MAR)
19	DEMIREL Muhammed (TUR)	DEMIREL M. (TUR)
20	MARANDIAN Karo (UKR)	MARANDIAN K. (UKR)
21	RAMIREZ Isaiiah (USA)	RAMIREZ I. (USA)
22	LIMA Willian (BRA)	LIMA W. (BRA)
23	IZVOREANU Radu (MDA)	IZVOREANU R. (MDA)
24	GERCHEV Yanislav (BUL)	GERCHEV Y. (BUL)
25	VERHORSTERT Ivo (NED)	VERHORSTERT I. (NED)
26	MARUYAMA Joshio (JPN)	MARUYAMA J. (JPN)
27	BORS DUMITRESCU Lucian (ROU)	BORS DUMITRESCU L. (ROU)

POOL D

25	AN Baul (KOR)	AN B. (KOR)
26	PIRAS Matteo (ITA)	PIRAS M. (ITA)
27	KYRGYZBAYEV Gusman (KAZ)	KYRGYZBAYEV G. (KAZ)
28	NIETO CHINARRO Adrian (ESP)	NIETO CHINARRO A. (ESP)
29	NAJAFOV Yashar (AZE)	NAJAFOV Y. (AZE)
30	NOSRATI Miad (IRT)	NOSRATI M. (IRT)
31	SHMAILOV Baruch (ISR)	SHMAILOV B. (ISR)
32	SANCHO CHINCHILA Ian (CRC)	SANCHO CHINCHILA I. (CRC)
33	GANBOLD Kherlen (MGL)	GANBOLD K. (MGL)
34	KHYAR Walide (FRA)	KHYAR W. (FRA)
35	EZZINE Wail (ALG)	EZZINE W. (ALG)

REPECHAGE



FINAL RESULTS		
1.	ABE Hifumi	JPN
2.	MARUYAMA Joshio	JPN
3.	AN Baul	KOR
3.	VIERU Denis	MDA
5.	MANZI Elios	ITA
7.	IADOV Bogdan	UKR
7.	SHMAILOV Baruch	ISR





Tashkent World Championships Senior 2022

Uzbekistan, Tashkent, 6-12 Oct 2022

-73 kg
Men (51)

POOL A

1	SHAVDATUASHVILI Lasha	GEO
2	STUMP Nils	SUI
3	SARAKHONOV Muhammadrahim	TJK
4	ESPOSITO Giovanni	ITA
5	OLIN Valterri	FIN
6	SANCHO Julian	CRC
7	HASHIMOTO Soichi	JPN
8	DRIS Messaoud Redouane	ALG
9	GABA Joan-Benjamin	FRA
10	JAUHARI Jawid	IRT
11	TURDUBAEV Ertur	KGZ
12	NJIE Faye	GAM
13	YULDOSHEV Murodjon	UZB

1	SHAVDATUASHVILI L. (GEO)	33	SHAVDATUASHVILI L. (GEO)		
2	STUMP N. (SUI)	11 s0 / 00 s3 [03:36]	10 s1 / 00 s3 [06:31]		
3	ESPOSITO G. (ITA)	34	ESPOSITO G. (ITA)		
4	OLIN V. (FIN)	10 s0 / 00 s3 [04:28]	49	SHAVDATUASHVILI L. (GEO)	
5	HASHIMOTO S. (JPN)	02 s0 / 00 s1 [03:06]	10 s0 / 00 s3 [05:28]	57	HASHIMOTO S. (JPN)
6	GABA J. (FRA)	00 s2 / 01 s1 [04:00]	35	HASHIMOTO S. (JPN)	
7	TURDUBAEV E. (KGZ)	00 s0 / 10 s0 [00:26]	10 s0 / 00 s3 [04:44]	50	HASHIMOTO S. (JPN)
8	YULDOSHEV M. (UZB)	00 s2 / 01 s1 [04:25]	36	YULDOSHEV M. (UZB)	
		00 s2 / 01 s0 [04:00]	10 s2 / 00 s3 [07:07]		

POOL B

9	BUTBUL Tohar	ISR
10	HRISTOV Mark	BUL
11	TSOUTLASVILI Michail	GRE
12	YONEZUKA Jack	USA
13	SHAMSHAYEV Daniyar	KAZ
14	LEE Eunhyul	KOR
15	ORUJOV Rustam	AZE
16	RAICU Alexandru	ROU
17	CARGNIN Daniel	BRA
18	GABLER Alexander Bernd	GER
19	STODOLSKI Adam	POL
20	TORNAL Antonio	DOM

9	BUTBUL T. (ISR)	37	BUTBUL T. (ISR)	
10	HRISTOV M. (BUL)	01 s1 / 00 s1 [04:37]	10 s1 / 00 s3 [05:48]	
11	SHAMSHAYEV D. (KAZ)	00 s0 / 01 s0 [04:00]	51	BUTBUL T. (ISR)
12	LEE E. (KOR)	00 s0 / 01 s2 [04:00]	38	LEE E. (KOR)
13	ORUJOV R. (AZE)	39	CARGNIN D. (BRA)	
14	CARGNIN D. (BRA)	00 s0 / 11 s0 [03:00]	00 s1 / 10 s1 [02:40]	
15	GABLER A. (GER)	40	GABLER A. (GER)	
16	TORNAL A. (DOM)	10 s2 / 00 s1 [04:12]	10 s0 / 01 s0 [02:16]	

POOL C

17	TSEND-OCHIR Tsogtbaatar	MGL
18	LEVIN Ido	ISR
19	HAMAD Sulaiman	KSA
20	SULCA Adrian	ROU
21	HOJAK Martin	SLO
22	MROWCZYNSKI Wiktor	POL
23	MARGELIDON Arthur	CAN
24	QING Daga	CHN
25	POCHOP Daniel	CZE
26	WANDTKE Igor	GER
27	BEN CHALBI Aleddine	TUN
28	ESTRADA Magdiel	CUB
29	ALIKAJ Ahmad	IRT

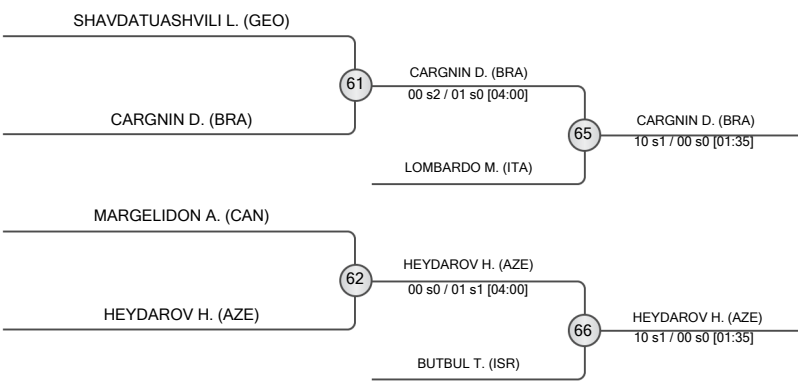
17	TSEND-OCHIR T. (MGL)	41	TSEND-OCHIR T. (MGL)	
18	LEVIN I. (ISR)	11 s0 / 01 s3 [03:13]	53	TSEND-OCHIR T. (MGL)
19	HAMAD Sulaiman	02 s0 / 00 s1 [02:58]	02 s1 / 00 s1 [02:57]	
20	SULCA A. (ROU)	42	SULCA A. (ROU)	
21	MROWCZYNSKI W. (POL)	10 s1 / 00 s3 [04:40]	59	TSEND-OCHIR T. (MGL)
22	MARGELIDON A. (CAN)	00 s3 / 10 s2 [03:27]	10 s2 / 00 s1 [03:07]	
23	MARGELIDON A. (CAN)	43	MARGELIDON A. (CAN)	
24	QING D. (CHN)	10 s0 / 00 s2 [04:49]	54	MARGELIDON A. (CAN)
25	POCHOP D. (CZE)	10 s0 / 00 s1 [03:26]	10 s1 / 00 s3 [05:26]	
26	WANDTKE I. (GER)	44	ESTRADA M. (CUB)	
27	BEN CHALBI A. (TUN)	10 s1 / 00 s3 [06:13]	00 s2 / 01 s0 [04:52]	
28	ESTRADA M. (CUB)	44	ESTRADA M. (CUB)	
29	ALIKAJ A. (IRT)	10 s0 / 00 s3 [01:04]	60	LOMBARDO M. (ITA)

POOL D

25	HEYDAROV Hidayat	AZE
26	UMAYEV Abdul Malik	BEL
27	ABDELMOUATY Ali	EGY
28	CASES ROCA Salvador	ESP
29	RODRIGUEZ Dominic	USA
30	AKHADOV Shakhram	UZB
31	STERPU Victor	MDA
32	KHOJAZODA Behruzi	TJK
33	AXUS Benjamin	FRA
34	SAGYNALIEV Chyngyzkhan	KGZ
35	NAKANO Keisei	PHI
36	LOMBARDO Manuel	ITA
37	KHOMULA Artem	UKR

25	HEYDAROV H. (AZE)	45	HEYDAROV H. (AZE)	
26	UMAYEV A. (BEL)	10 s0 / 00 s0 [02:57]	55	HEYDAROV H. (AZE)
27	ABDELMOUATY A. (EGY)	01 s1 / 00 s1 [04:00]	01 s2 / 00 s2 [12:36]	
28	CASES ROCA S. (ESP)	46	AKHADOV S. (UZB)	
29	RODRIGUEZ D. (USA)	00 s2 / 10 s1 [04:00]	60	LOMBARDO M. (ITA)
30	AKHADOV S. (UZB)	00 s0 / 02 s1 [03:49]	56	LOMBARDO M. (ITA)
31	STERPU V. (MDA)	47	STERPU V. (MDA)	
32	KHOJAZODA B. (TJK)	02 s0 / 00 s2 [02:48]	56	LOMBARDO M. (ITA)
33	AXUS B. (FRA)	01 s1 / 00 s2 [05:17]	48	LOMBARDO M. (ITA)
34	SAGYNALIEV C. (KGZ)	01 s0 / 00 s1 [04:00]	00 s0 / 01 s0 [03:53]	
35	NAKANO K. (PHI)	31	SAGYNALIEV C. (KGZ)	
36	LOMBARDO M. (ITA)	48	LOMBARDO M. (ITA)	
37	KHOMULA A. (UKR)	10 s1 / 00 s1 [02:54]	60	LOMBARDO M. (ITA)

REPECHAGE



FINAL RESULTS

1. TSEND-OCHIR Tsogtbaatar MGL
2. HASHIMOTO Soichi JPN
3. CARGNIN Daniel BRA
3. HEYDAROV Hidayat AZE
5. LOMBARDO Manuel ITA
5. BUTBUL Tohar ISR
7. MARGELIDON Arthur CAN
7. SHAVDATUASHVILI Lasha GEO





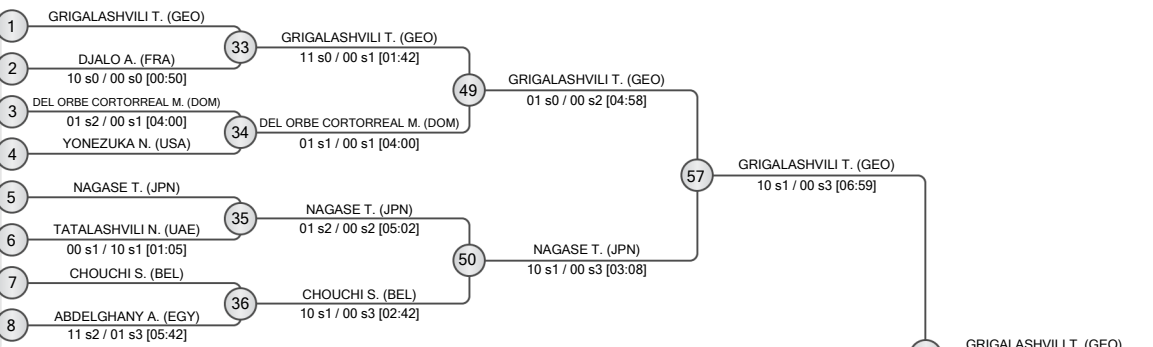
Tashkent World Championships Senior 2022

Uzbekistan, Tashkent, 6-12 Oct 2022

-81 kg
Men (47)

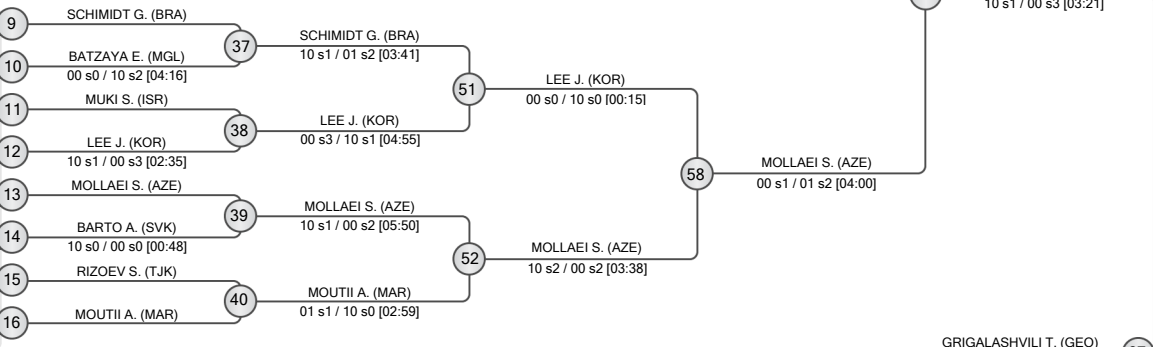
POOL A

GRIGALASHVILI Tato	GEO	1
DJALO Alpha Oumar	FRA	2
DRZYMAL Pawel	POL	3
DEL ORBE CORTORREAL Medickson	DOM	4
RESSEL Dominic	GER	5
YONEZUKA Nicolas	USA	6
NAGASE Takanori	JPN	7
MANUKIAN Hievorh	UKR	8
TATALASHVILI Nugzari	AZE	9
CHOUCHI Sami	BEL	10
ABDELGHANY Abdelrahman	EGY	11
ZOLOEV Vladimir	KGZ	12



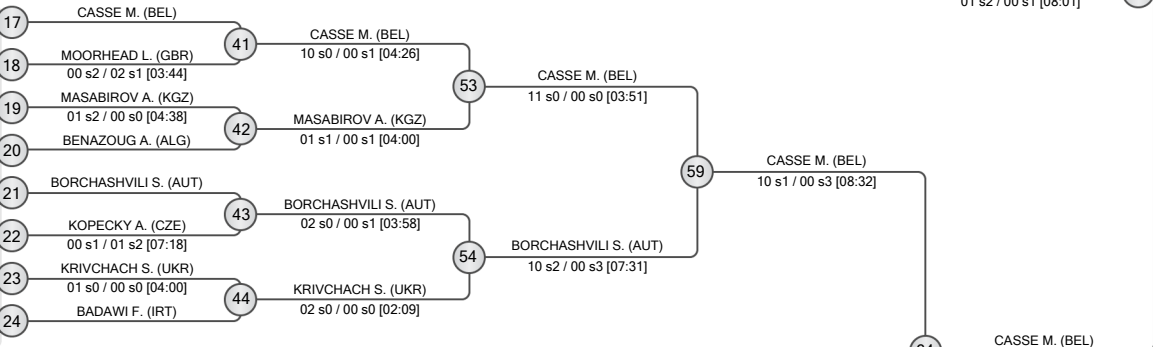
POOL B

SCHIMIDT Guilherme	BRA	9
ESPOSITO Antonio	ITA	10
BATZAYA Erdenebayar.	MGL	11
MUKI Sagi	ISR	12
LEE Joonhwan	KOR	13
MYLONELIS Athanasios	GRE	14
MOLLAEI Saeid	AZE	15
BARTO Alex	SVK	16
ZABOROSCIUC Nikon	MDA	17
RIZOEV Shodmon	TJK	18
MOUTII Achraf	MAR	19



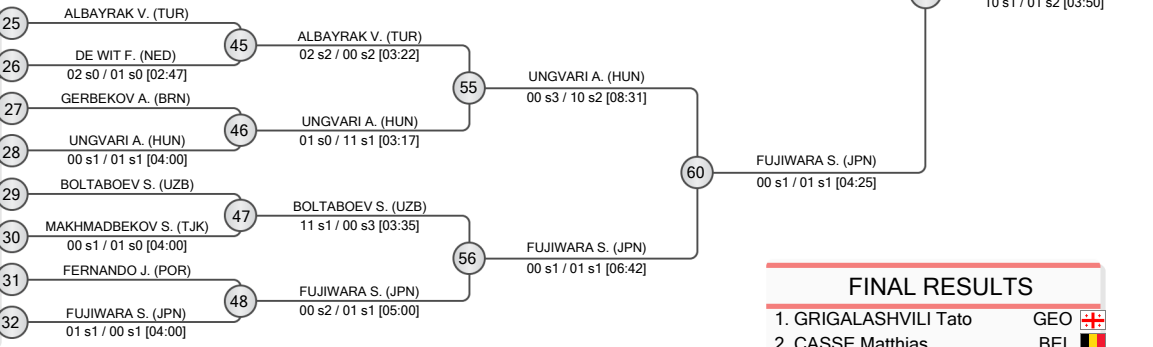
POOL C

CASSE Matthias	BEL	17
HAJIYEV Eljan	AZE	18
MOORHEAD Lachlan	GBR	19
MASABIROV Asad	KGZ	20
MARCINKIEWICZ Sebastian	POL	21
BENAZOUG Aghiles-Imad	ALG	22
BORCHASHVILI Shamil	AUT	23
URQUIZA SOLANA Alfonso	ESP	24
KOPECKY Adam	CZE	25
KRIVCHACH Sergii	UKR	26
GANDIA Adrian	PUR	27
BADAWI Fares	IRT	28



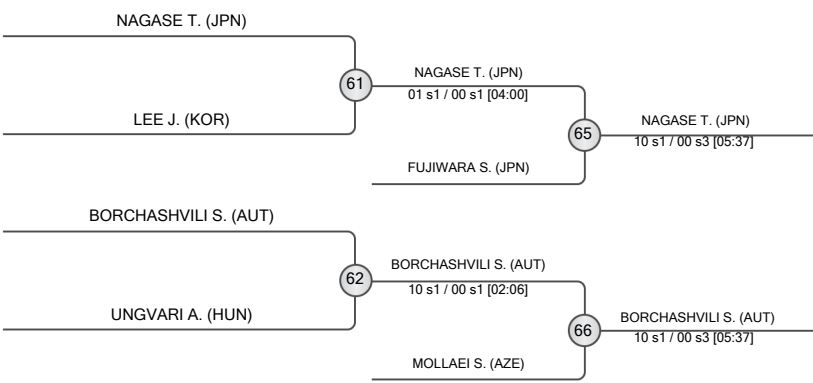
POOL D

ALBAYRAK Vedat	TUR	25
DE WIT Frank	NED	26
ZHUBANAZAR Abylaikhan	KAZ	27
GERBEKOV Askerbii	BRN	28
LATISEV Mihail	MDA	29
UNGVARI Attila	HUN	30
BOLTABOEV Sharofiddin	UZB	31
GAUTHIER DRAPEAU Francois	CAN	32
MAKHMADBEKOV Somon	TJK	33
FERNANDO Joao	POR	34
FUJIWARA Sotaro	JPN	35
KIM Jonghoon	KOR	36



FINAL RESULTS		
1.	GRIGALASHVILI Tato	GEO
2.	CASSE Matthias	BEL
3.	NAGASE Takanori	JPN
3.	BORCHASHVILI Shamil	AUT
5.	FUJIWARA Sotaro	JPN
5.	MOLLAEI Saeid	AZE
7.	UNGVARI Attila	HUN
7.	LEE Joonhwan	KOR

REPECHAGE





Tashkent World Championships Senior 2022

Uzbekistan, Tashkent, 6-12 Oct 2022

-90 kg
Men (49)

POOL A

BOBONOV Davlat	UZB	1	BOBONOV D. (UZB)		
ZILKA Peter	SVK	2	ZILKA P. (SVK)	33	BOBONOV D. (UZB) 11 s1 / 01 s3 [05:10]
FLORENTINO Robert	DOM		10 s0 / 00 s0 [00:00]		
HAN Juyeop	KOR	3	HAN J. (KOR)		49 BOBONOV D. (UZB) 10 s1 / 00 s2 [03:20]
NERPEL Gergely	HUN	3	01 s1 / 00 s2 [04:00]		
GRIGORIAN Aram	UAE	4	ZGANK M. (TUR)	34	HAN J. (KOR) 10 s1 / 00 s1 [01:52]
ZGANK Mihael	TUR		00 s2 / 10 s2 [04:42]		
VAN T END Noel	NED	5	VAN T END N. (NED)		57 BOBONOV D. (UZB) 11 s0 / 01 s0 [02:44]
EGUTIDZE Anri	POR	6	EGUTIDZE A. (POR)	35	VAN T END N. (NED) 10 s2 / 00 s2 [05:49]
JAYNE John	USA	6	01 s2 / 00 s0 [04:00]		
IVANOV Ivaylo	BUL	7	IVANOV I. (BUL)		50 IVANOV I. (BUL) 00 s3 / 10 s1 [06:09]
USTOPIRIYON Komronshokh	TJK		01 s1 / 00 s2 [04:00]		
MUNGAI Nicholas	ITA	8	MUNGAI N. (ITA)	36	IVANOV I. (BUL) 01 s0 / 00 s0 [04:00]

POOL B

SILVA MORALES Ivan Felipe	CUB	9	SILVA MORALES I. (CUB)		
MAJDOV Nemanja	SRB	10	MAJDOV N. (SRB)	37	SILVA MORALES I. (CUB) 01 s1 / 00 s2 [06:27]
GOTONOAGA Dorin	MDA		10 s1 / 00 s3 [02:27]		
FEUILLET Remi	MRI	11	FEUILLET R. (MRI)		51 SILVA MORALES I. (CUB) 11 s0 / 00 s1 [03:15]
KHAMZA Didar	KAZ	12	KLAMMERT D. (CZE)	38	KLAMMERT D. (CZE) 00 s2 / 01 s0 [04:00]
KLAMMERT David	CZE		00 s2 / 01 s2 [04:00]		
BEKAURI Lasha	GEO	13	BEKAURI L. (GEO)		58 BEKAURI L. (GEO) 00 s0 / 10 s0 [00:23]
CASSAR Harrison	AUS	14	MASHIYAMA K. (JPN)	39	BEKAURI L. (GEO) 02 s0 / 00 s0 [02:51]
MASHIYAMA Kosuke	JPN		00 s2 / 10 s0 [03:23]		
MACEDO Rafael	BRA	15	MACEDO R. (BRA)		52 BEKAURI L. (GEO) 01 s1 / 00 s1 [04:00]
KALJULAJD Klen Kristofer	EST	16	KALJULAJD K. (EST)	40	MACEDO R. (BRA) 02 s0 / 00 s1 [03:31]
SHEROV Erlan	KGZ		02 s2 / 01 s1 [05:38]		

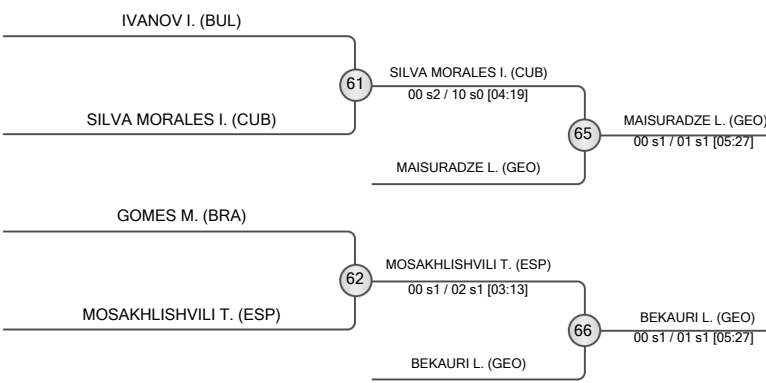
POOL C

MEHDIYEV Mammadali	AZE	17	MEHDIYEV M. (AZE)		
PARLATI Christian	ITA	18	PARLATI C. (ITA)	41	PARLATI C. (ITA) 00 s2 / 10 s2 [05:30]
KNAUF Alexander	USA		02 s0 / 00 s1 [01:47]		
BRASNJOVIC Darko	SRB	19	TSELIDIS T. (GRE)		53 PARLATI C. (ITA) 10 s2 / 00 s1 [04:42]
TSELIDIS Theodoros	GRE		00 s3 / 10 s1 [03:24]		
BORCHASHVILI Wachid	AUT	20	BORCHASHVILI W. (AUT)	42	TSELIDIS T. (GRE) 01 s2 / 00 s1 [07:37]
TRIPPEL Eduard	GER	21	TRIPPEL E. (GER)		59 PARLATI C. (ITA) 10 s2 / 01 s0 [02:28]
BREYTENBACH Thomas-Laszlo	RSA	22	SMINK J. (NED)	43	TRIPPEL E. (GER) 10 s1 / 00 s1 [03:46]
SMINK Jesper	NED		01 s1 / 11 s0 [01:57]		
MATHIEU Alexis	FRA	23	MATHIEU A. (FRA)		54 GOMES M. (BRA) 00 s0 / 10 s0 [00:29]
DIAO Abderahmane	SEN	23	10 s0 / 00 s0 [00:25]		
GOMES Marcelo	BRA	24	GOMES M. (BRA)	44	GOMES M. (BRA) 00 s0 / 02 s0 [02:27]

POOL D

TOTH Krisztian	HUN	25	TOTH K. (HUN)		
CRET Alex	ROU	26	MOSAKHLISHVILI T. (ESP)	45	MOSAKHLISHVILI T. (ESP) 00 s3 / 10 s0 [03:53]
MOSAKHLISHVILI Tristani	ESP		00 s0 / 10 s0 [02:06]		
MADZHIDOV Dzhakhongir	TJK	27	MADZHIDOV D. (TJK)		55 MOSAKHLISHVILI T. (ESP) 10 s0 / 00 s0 [01:30]
GUNCHENKO Stanislav	UKR	28	GUNCHENKO S. (UKR)	46	GUNCHENKO S. (UKR) 00 s3 / 10 s2 [04:39]
RANDL Milan	SVK		10 s2 / 00 s1 [03:37]		
MAISURADZE Luka	GEO	29	MAISURADZE L. (GEO)		60 MAISURADZE L. (GEO) 00 s2 / 10 s2 [02:49]
SAGAIPOV Caramnob	LBN	30	SAGAIPOV C. (LBN)	47	MAISURADZE L. (GEO) 11 s1 / 00 s2 [04:00]
KUUSIK Mattias	EST		10 s0 / 00 s0 [01:32]		
ISHENBAEV Anarbek	KGZ	31	ISHENBAEV A. (KGZ)		56 MAISURADZE L. (GEO) 10 s1 / 00 H [01:08]
GANTULGA Altanbagana	MGL	32	GANTULGA A. (MGL)	48	GANTULGA A. (MGL) 00 s2 / 01 s1 [04:00]
HAZEM Ali	EGY		10 s0 / 00 s3 [05:49]		

REPECHAGE



FINAL RESULTS		
1.	BOBONOV Davlat	UZB
2.	PARLATI Christian	ITA
3.	MAISURADZE Luka	GEO
3.	BEKAURI Lasha	GEO
5.	SILVA MORALES Ivan Felipe	CUB
7.	MOSAKHLISHVILI Tristani	ESP
7.	GOMES Marcelo	BRA
7.	IVANOV Ivaylo	BUL





Tashkent World Championships Senior 2022

Uzbekistan, Tashkent, 6-12 Oct 2022

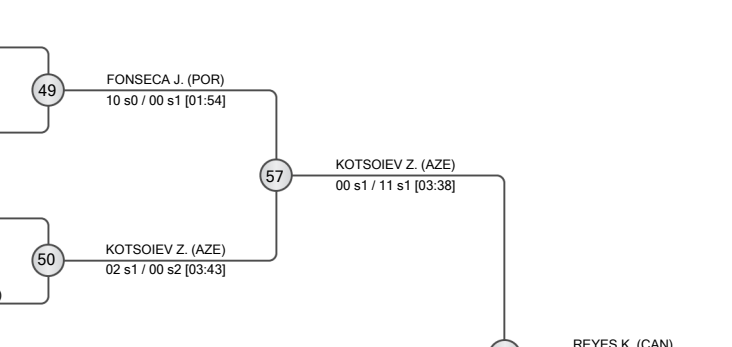
-100 kg

Men (41)

POOL A

	FONSECA Jorge	POR	1
	GONZALEZ Asley	ROU	2
	CATHARINA Simeon	NED	3
	IIDA Kentaro	JPN	4
	DOSEN Bojan	SRB	5
	KOTSOIEV Zelym	AZE	6
	EICH Daniel	SUI	7
	BOUAMAR Mustapha Yasser	ALG	8
	SHARKHAN Nurykhan	KAZ	9
	WON Jonghoon	KOR	10

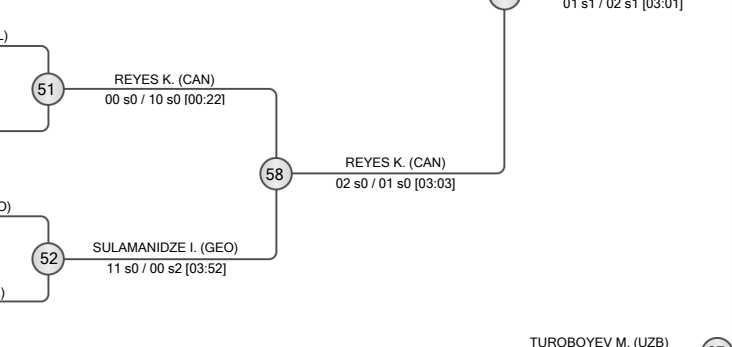
1	FONSECA J. (POR)	33	FONSECA J. (POR)
2	GONZALEZ A. (ROU)	34	DOSEN B. (SRB)
3	IIDA K. (JPN)	35	KOTSOIEV Z. (AZE)
4	DOSEN B. (SRB)	36	SHARKHAN N. (KAZ)
5	KOTSOIEV Z. (AZE)	37	BATKHUYAG G. (MGL)
6	EICH D. (SUI)	38	REYES K. (CAN)
7	BOUAMAR M. (ALG)	39	SULAMANIDZE I. (GEO)
8	SHARKHAN N. (KAZ)	40	SISMANLAR M. (TUR)
9	WON JONGHOON (KOR)	41	ELNAHAS S. (CAN)
10		42	SHERAZADISHVILI N. (ESP)



POOL B

	PALTCHIK Peter	ISR	9
	BATKHUYAG Gonchigsuren	MGL	10
	MATASEJE Benjamin	SVK	11
	CIRJENICS Miklos	HUN	12
	REYES Kyle	CAN	13
	SULAMANIDZE Ilia	GEO	14
	HERBST Daniel	GER	15
	KUMRIC Marko	CRO	16
	SISMANLAR Mert	TUR	17
	KHANKAN Adnan	IRT	18
	LIVEZE Kenny	FRA	19

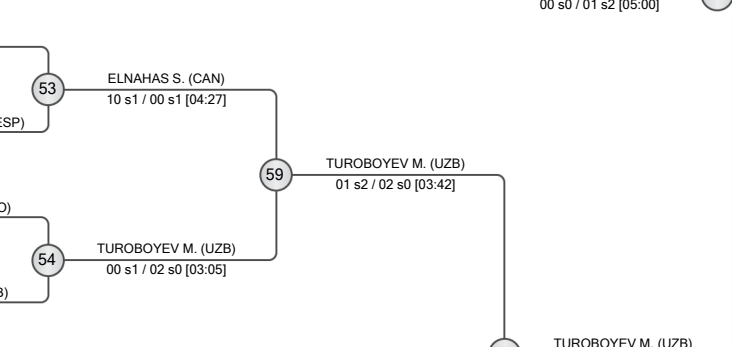
9	PALTCHIK P. (ISR)	43	LIPARTELIANI V. (GEO)
10	BATKHUYAG G. (MGL)	44	TUROBOYEV M. (UZB)
11	MATASEJE B. (SVK)	45	KORREL M. (NED)
12	REYES K. (CAN)	46	BUZACARINI R. (BRA)
13	SULAMANIDZE I. (GEO)	47	NIKIFOROV T. (BEL)
14	HERBST D. (GER)	48	VEG Z. (HUN)
15	KUMRIC M. (CRO)	49	FONSECA J. (POR)
16	SISMANLAR M. (TUR)	50	KOTSOIEV Z. (AZE)
17	LIVEZE K. (FRA)	51	REYES K. (CAN)
18		52	SULAMANIDZE I. (GEO)
19		53	ELNAHAS S. (CAN)



POOL C

	ELNAHAS Shady	CAN	17
	KOBENA Koffi Kreme	CIV	18
	KUKOLJ Aleksandar	SRB	19
	ABUBAKRI Akobir	TJK	20
	SHERAZADISHVILI Nikoloz	ESP	21
	LIPARTELIANI Varlam	GEO	22
	MINASKIN Grigori	EST	23
	KUMRIC Zlatko	CRO	24
	TUROBOYEV Muzaffarbek	UZB	25
	SMITH III L.A.	USA	26

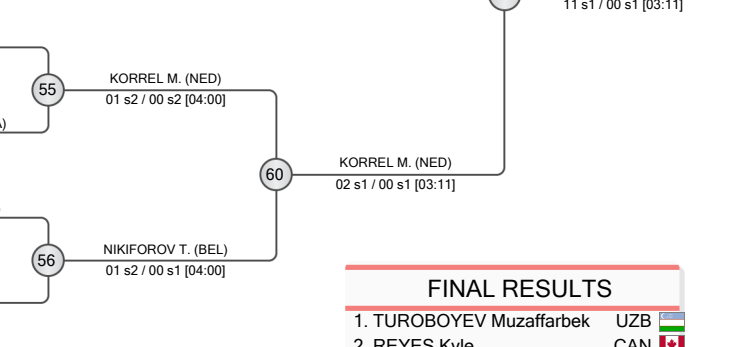
17	ELNAHAS S. (CAN)	54	TUROBOYEV M. (UZB)
18	KUKOLJ A. (SRB)	55	KORREL M. (NED)
19	KUKOLJ A. (SRB)	56	NIKIFOROV T. (BEL)
20	ABUBAKRI A. (TJK)	57	KOTSOIEV Z. (AZE)
21	SHERAZADISHVILI N. (ESP)	58	REYES K. (CAN)
22	LIPARTELIANI V. (GEO)	59	TUROBOYEV M. (UZB)
23	MINASKIN G. (EST)	60	KORREL M. (NED)
24	KUMRIC Z. (CRO)	61	SULAMANIDZE I. (GEO)
25	TUROBOYEV M. (UZB)	62	NIKIFOROV T. (BEL)
26	SMITH III L. (USA)	63	REYES K. (CAN)



POOL D

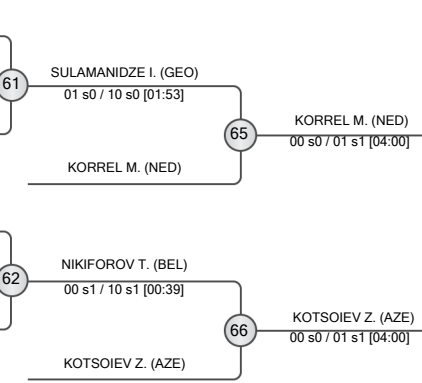
	KORREL Michael	NED	25
	FARA Aaron	AUT	26
	MADSEN Mathias	DEN	27
	BOZBAYEV Islam	KAZ	28
	BUZACARINI Rafael	BRA	29
	NIKIFOROV Toma	BEL	30
	GEORGIEV Boris	BUL	31
	KOSTOEV Dzhafar	UAE	32
	VEG Zsombor	HUN	33
	BEN GHARES Koussay	TUN	34

25	KORREL M. (NED)	64	TUROBOYEV M. (UZB)
26	FARA A. (AUT)	65	KORREL M. (NED)
27	MADSEN M. (DEN)	66	KOTSOIEV Z. (AZE)
28	BOZBAYEV I. (KAZ)	67	TUROBOYEV M. (UZB)
29	BUZACARINI R. (BRA)	68	KORREL M. (NED)
30	NIKIFOROV T. (BEL)	69	FONSECA J. (POR)
31	GEORGIEV B. (BUL)	70	KOTSOIEV Z. (AZE)
32	KOSTOEV D. (UAE)	71	REYES K. (CAN)
33	VEG Z. (HUN)	72	SULAMANIDZE I. (GEO)
34	BEN GHARES K. (TUN)	73	NIKIFOROV T. (BEL)



REPECHAGE

FONSECA J. (POR)	61	SULAMANIDZE I. (GEO)
SULAMANIDZE I. (GEO)	62	NIKIFOROV T. (BEL)
ELNAHAS S. (CAN)	63	KORREL M. (NED)
NIKIFOROV T. (BEL)	64	KOTSOIEV Z. (AZE)



FINAL RESULTS

1. TUROBOYEV Muzaffarbek UZB
2. REYES Kyle CAN
3. KORREL Michael NED
3. KOTSOIEV Zelym AZE
5. SULAMANIDZE Ilia GEO
7. ELNAHAS Shady CAN
7. FONSECA Jorge POR





Tashkent World Championships Senior 2022

Uzbekistan, Tashkent, 6-12 Oct 2022

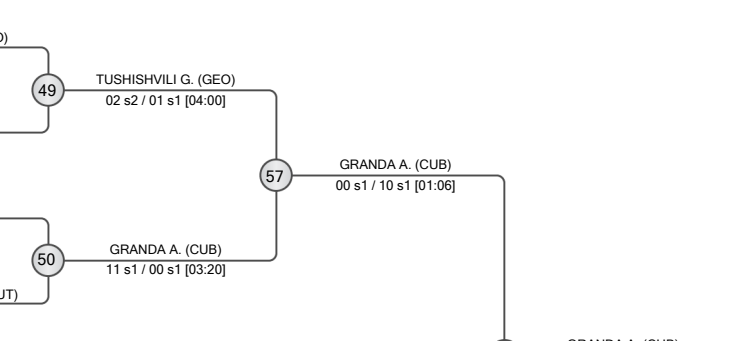
+100 kg

Men (36)

POOL A

	TUSHISHVILI Guram	GEO
	SIMIONESCU Vladut	ROU
	DRAGIC Vito	SLO
	FOFANA Moustapha	GUI
	FREY Johannes	GER
	GRANDA Andy	CUB
	SIPOCZ Richard	HUN
	POLNEAU Boduit Wilfried Anderson	CIV
	ALLERSTORFER Daniel	AUT

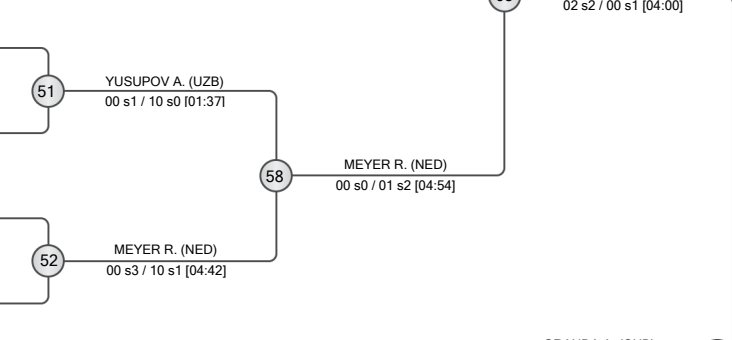
1	TUSHISHVILI G. (GEO)	
2	DRAGIC V. (SLO)	33
3	FOFANA M. (GUI)	
4	FREY J. (GER)	34
5	GRANDA A. (CUB)	
6	SIPOCZ R. (HUN)	35
7	POLNEAU B. (CIV)	
8	ALLERSTORFER D. (AUT)	36



POOL B

	SILVA Rafael	BRA
	DESCHENES Marc	CAN
	LI Ruixuan	CHN
	KAZHYBAYEV Yerassyl	KAZ
	YUSUPOV Alisher	UZB
	ODKHUU Tsetsentsengel	MGL
	ANDREWS Kody	NZL
	MEYER Roy	NED
	AGRO SYLVAIN Lorenzo	ITA

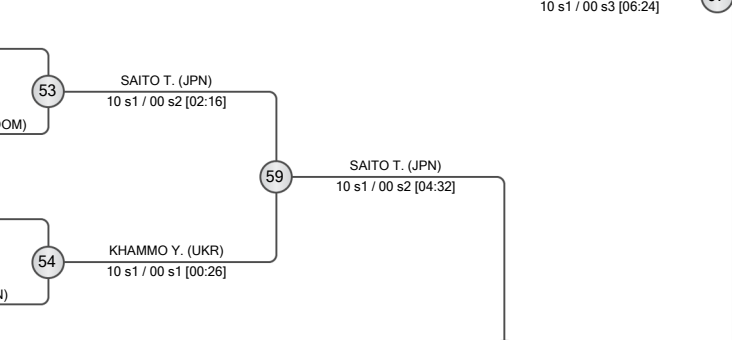
9	SILVA R. (BRA)	
10	LI R. (CHN)	37
11	KAZHYBAYEV Y. (KAZ)	
12	YUSUPOV A. (UZB)	38
13	ODKHUU T. (MGL)	
14	ANDREWS K. (NZL)	39
15	MEYER R. (NED)	
16	AGRO SYLVAIN L. (ITA)	40



POOL C

	SPIJKERS Jur	NED
	SAITO Tatsuru	JPN
	NOVA ALCANTARA Jose	DOM
	KOMPANIEZ Serafim	ISR
	NDIAYE Mbagnick	SEN
	KHAMMO Yakiv	UKR
	BAKHTIYOROV Shokhrukhkhon	UZB
	CHOTCHAEV Azamat	BRN
	OMAR Cruz Leon	CUB

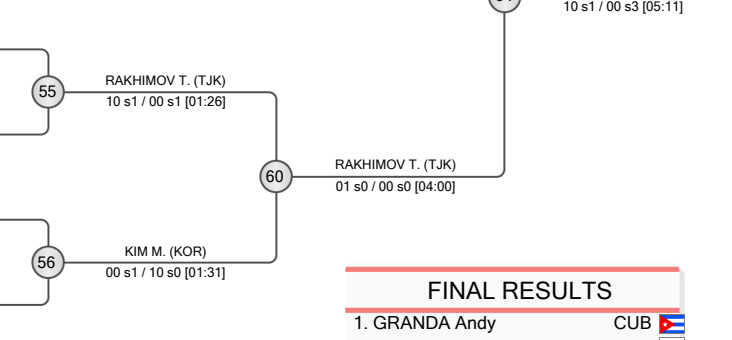
17	SPIJKERS J. (NED)	
18	SAITO T. (JPN)	41
19	NOVA ALCANTARA J. (DOM)	
20	NDIAYE M. (SEN)	42
21	KHAMMO Y. (UKR)	
22	BAKHTIYOROV S. (UZB)	43
23	CHOTCHAEV A. (BRN)	
24	OMAR C. (CUB)	44



POOL D

	RAKHIMOV Temur	TJK
	FIZEL Marius	SVK
	KONOVAL Christian	USA
	MARINIC Enej	SLO
	TERHEC Joseph	FRA
	KRPALEK Lukas	CZE
	PUUMALAINEN Martti	FIN
	SCHREIBER Jonas	GER
	KIM Minjong	KOR

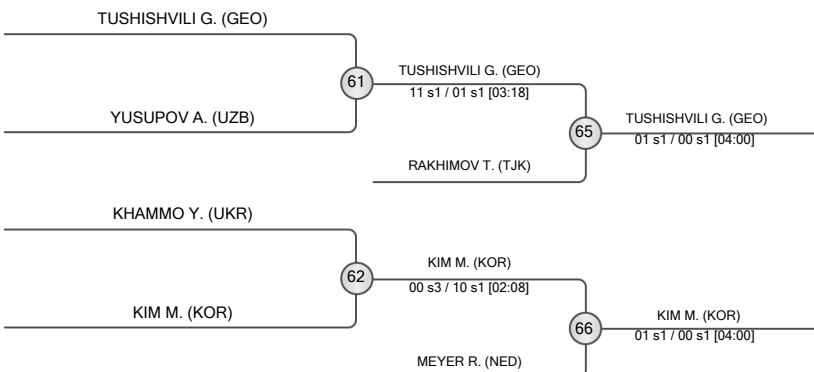
25	RAKHIMOV T. (TJK)	
26	FIZEL M. (SVK)	45
27	MARINIC E. (SLO)	
28	TERHEC J. (FRA)	46
29	KRPALEK L. (CZE)	
30	PUUMALAINEN M. (FIN)	47
31	SCHREIBER J. (GER)	
32	KIM M. (KOR)	48



FINAL RESULTS

- GRANDA Andy CUB
- SAITO Tatsuru JPN
- TUSHISHVILI Guram GEO
- KIM Minjong KOR
- RAKHIMOV Temur TJK
- MEYER Roy NED
- KHAMMO Yakiv UKR
- YUSUPOV Alisher UZB

REPECHAGE





Tashkent World Championships Senior 2022

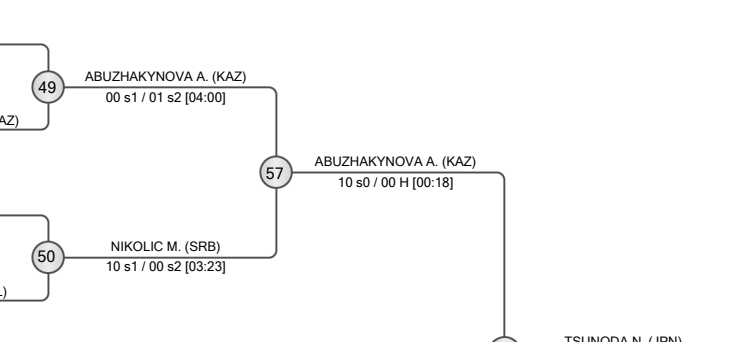
Uzbekistan, Tashkent, 6-12 Oct 2022

-48 kg
Women (38)

POOL A

	BOUKLI Shirine	FRA	1
	SORIANO Estefania	DOM	2
	SALENS Ellen	BEL	3
	LIMA Amanda	BRA	4
	ABUZHAKYNOVA Abiba	KAZ	4
	NIKOLIC Milica	SRB	5
	POP Alexandra	ROU	6
	PRADO Giovanna	USA	7
	BAVUUDORJ Baasankhuu	MGL	8

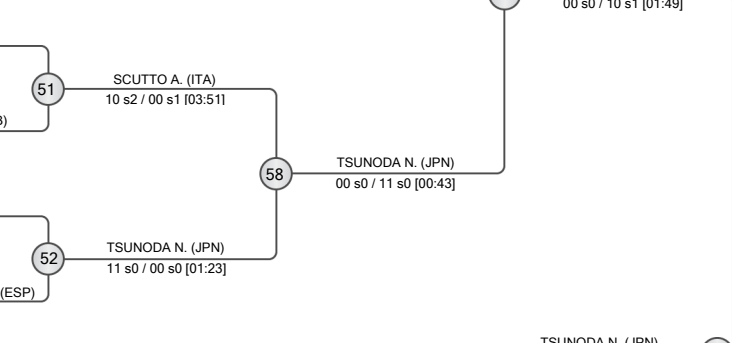
BOUKLI S. (FRA)	33	BOUKLI S. (FRA)
SALENS E. (BEL)	00 s2 / 01 s0 [04:00]	33
LIMA A. (BRA)	01 s1 / 02 s1 [04:52]	34
ABUZHAKYNOVA A. (KAZ)	01 s1 / 02 s1 [04:52]	34
NIKOLIC M. (SRB)	10 s0 / 00 s3 [03:31]	35
POP A. (ROU)	00 s0 / 01 s2 [04:00]	49
PRADO G. (USA)	00 s3 / 10 s1 [06:32]	38
BAVUUDORJ B. (MGL)	00 s0 / 01 s2 [04:00]	36



POOL B

	RISHONY Shira	ISR	9
	SCUTTO Assunta	ITA	10
	AZAK Merve	TUR	11
	KURBONOVA Khalimajon	UZB	12
	TSUNODA Natsumi	JPN	13
	MORAND Priscilla	MRI	14
	LIN Chen-Hao	TPE	14
	GUO Zongying	CHN	15
	BEDIOUI Oumaima	TUN	16
	MARTINEZ ABELENDA Laura	ESP	16

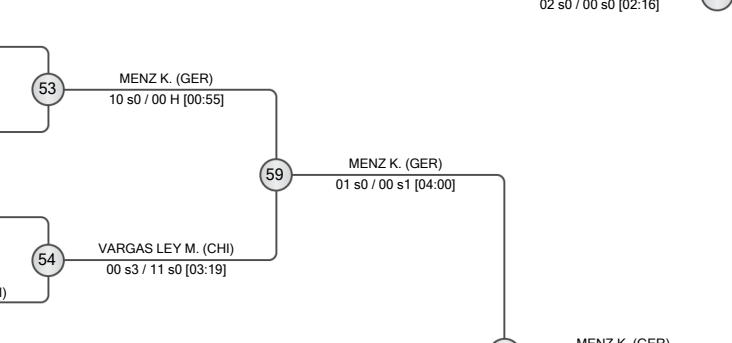
RISHONY S. (ISR)	37	SCUTTO A. (ITA)
SCUTTO A. (ITA)	00 s0 / 10 s0 [01:46]	37
AZAK M. (TUR)	00 s3 / 10 s1 [06:32]	38
KURBONOVA K. (UZB)	00 s3 / 10 s1 [06:32]	38
TSUNODA N. (JPN)	10 s1 / 00 s1 [01:07]	39
LIN C. (TPE)	00 s0 / 10 s1 [02:08]	39
GUO Z. (CHN)	00 s3 / 10 s1 [05:18]	40
MARTINEZ ABELENDA L. (ESP)	00 s2 / 01 s1 [04:16]	40



POOL C

	COSTA Catarina	POR	17
	MUNEME Jennie	MOZ	18
	MENZ Katharina	GER	18
	TANZER Katharina	AUT	19
	MILANI Francesca	ITA	20
	GANBAATAR Narantsetseg	MGL	21
	LABORDE Maria Celia	USA	22
	VARGAS LEY Mary Dee	CHI	23
	HOJAGELDIYEVA Aksoltan	TKM	24

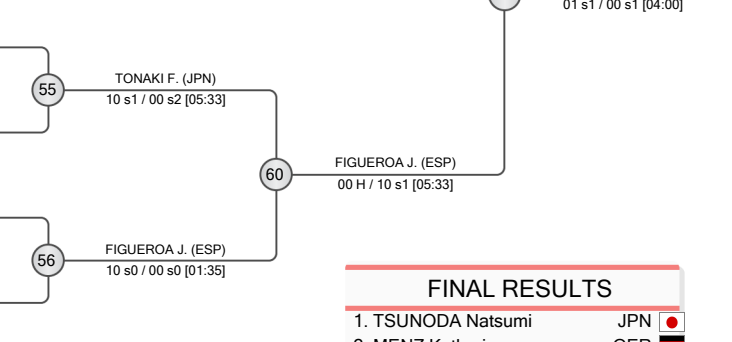
COSTA C. (POR)	41	MENZ K. (GER)
MENZ K. (GER)	00 H / 10 s0 [00:00]	41
TANZER K. (AUT)	00 s0 / 10 s0 [00:50]	42
MILANI F. (ITA)	00 s0 / 10 s0 [00:50]	42
GANBAATAR N. (MGL)	00 s0 / 10 s0 [00:26]	43
LABORDE M. (USA)	00 s0 / 10 s0 [00:26]	43
VARGAS LEY M. (CHI)	02 s0 / 00 s0 [01:39]	44
HOJAGELDIYEVA A. (TKM)	02 s0 / 00 s0 [01:39]	44



POOL D

	TONAKI Funa	JPN	25
	LIU Ting	CHN	26
	STOJADINOV Andrea	SRB	26
	MALCA Tamar	ISR	27
	STANGAR Marusa	SLO	27
	BEDER Tugce	TUR	28
	FIGUEROA Julia	ESP	29
	ALIYEVA Leyla	AZE	30
	LEE Hyekyeong	KOR	31
	KANYAMUNEZA Signoline	BDI	32

TONAKI F. (JPN)	45	TONAKI F. (JPN)
LIU T. (CHN)	10 s2 / 00 s3 [06:43]	45
STANGAR M. (SLO)	00 s1 / 01 s1 [04:00]	46
BEDER T. (TUR)	00 s1 / 01 s1 [04:00]	46
FIGUEROA J. (ESP)	01 s0 / 00 s0 [04:00]	47
ALIYEVA L. (AZE)	01 s0 / 00 s0 [04:00]	47
LEE H. (KOR)	10 s1 / 00 s1 [01:43]	48
KANYAMUNEZA S. (BDI)	10 s1 / 00 s1 [01:43]	48



REPECHAGE

NIKOLIC M. (SRB)	61	SCUTTO A. (ITA)
SCUTTO A. (ITA)	00 s0 / 10 s0 [00:00]	61
VARGAS LEY M. (CHI)	62	VARGAS LEY M. (CHI)
TONAKI F. (JPN)	10 s0 / 00 s0 [00:00]	62

SCUTTO A. (ITA)	65	SCUTTO A. (ITA)
FIGUEROA J. (ESP)	11 s2 / 00 s0 [03:17]	65
ABUZHAKYNOVA A. (KAZ)	66	ABUZHAKYNOVA A. (KAZ)
ABUZHAKYNOVA A. (KAZ)	11 s2 / 00 s0 [03:17]	66

FINAL RESULTS		
1.	TSUNODA Natsumi	JPN
2.	MENZ Katharina	GER
3.	SCUTTO Assunta	ITA
3.	ABUZHAKYNOVA Abiba	KAZ
5.	FIGUEROA Julia	ESP
5.	VARGAS LEY Mary Dee	CHI
7.	TONAKI Funa	JPN
7.	NIKOLIC Milica	SRB





Tashkent World Championships Senior 2022

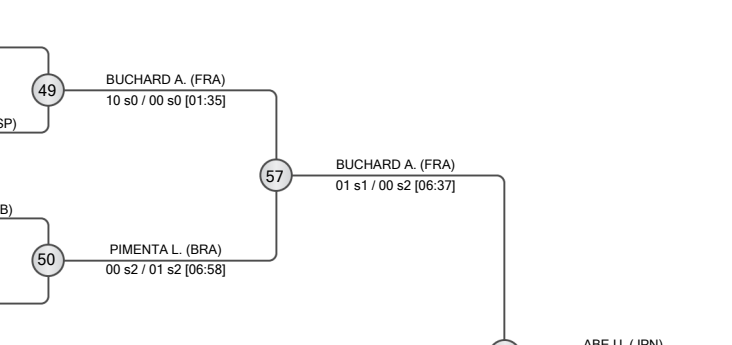
Uzbekistan, Tashkent, 6-12 Oct 2022

-52 kg
Women (34)

POOL A

1	BUCHARD Amandine	FRA
2	NDIAYE Binta	SUI
3	MAMMADALIYEVA Gultaj	AZE
4	CASTAGNOLA Martina	ITA
5	LOPEZ SHERIFF Estrella	ESP
6	KELDIYOROVA Diyora	UZB
7	IRAQOI Soumiya	MAR
8	PIMENTA Larissa	BRA
9	FOFANA Salimata	CIV

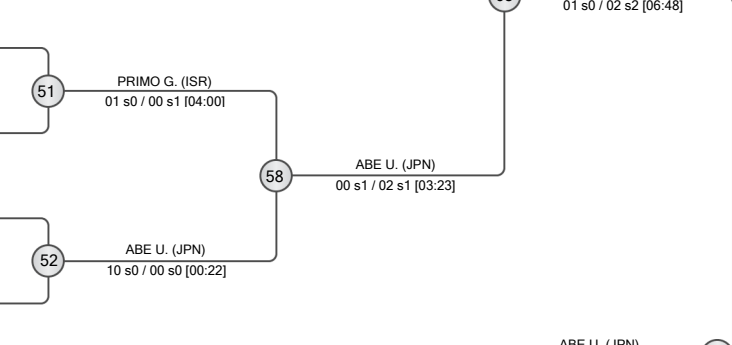
1	BUCHARD A. (FRA)	33	BUCHARD A. (FRA)
2	NDIAYE B. (SUI)	01 s0 / 00 s1 [04:00]	02 s0 / 00 s1 [03:33]
3	CASTAGNOLA M. (ITA)	34	LOPEZ SHERIFF E. (ESP)
4	LOPEZ SHERIFF E. (ESP)	00 s2 / 10 s1 [07:16]	00 s2 / 10 s1 [07:16]
5	KELDIYOROVA D. (UZB)	35	KELDIYOROVA D. (UZB)
6	IRAQOI S. (MAR)	10 s0 / 00 s0 [00:00]	10 s0 / 00 s0 [00:00]
7	PIMENTA L. (BRA)	36	PIMENTA L. (BRA)
8	FOFANA S. (CIV)	10 s0 / 00 s0 [01:20]	10 s0 / 00 s0 [01:20]



POOL B

9	PRIMO Gefen	ISR
10	HURTADO MUNOZ Melissa	CUB
11	DEGUCHI Kelly	CAN
12	LIU Ben	CHN
13	ABE Uta	JPN
14	PETROVIC Nadezda	SRB
15	JUNG Yerin	KOR
16	DELGADO Angelica	USA

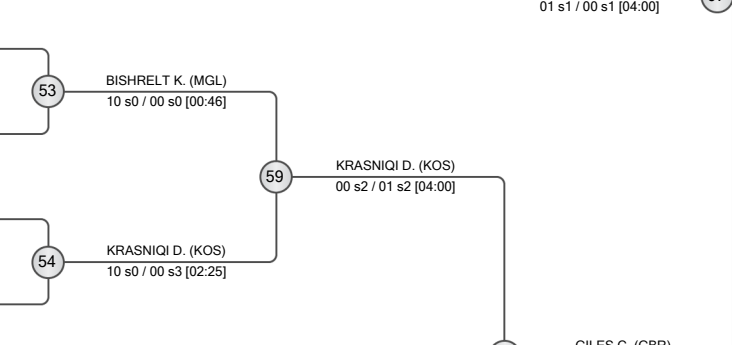
9	PRIMO G. (ISR)	37	PRIMO G. (ISR)
10	HURTADO MUNOZ M. (CUB)	10 s0 / 00 s3 [02:50]	10 s0 / 00 s3 [02:50]
11	DEGUCHI K. (CAN)	38	LIU B. (CHN)
12	LIU B. (CHN)	00 s2 / 10 s1 [03:59]	00 s2 / 10 s1 [03:59]
13	ABE U. (JPN)	39	ABE U. (JPN)
14	PETROVIC N. (SRB)	10 s1 / 00 s1 [03:24]	10 s1 / 00 s1 [03:24]
15	JUNG Y. (KOR)	40	JUNG Y. (KOR)
16	DELGADO A. (USA)	01 s1 / 00 s2 [04:00]	01 s1 / 00 s2 [04:00]



POOL C

17	PUPP Reka	HUN
18	BISHRELT Khorloodoi	MGL
19	DIOGO Joana	POR
20	KADAMBOEVA Sita	UZB
21	KRASNIQI Distria	KOS
22	HSU Lin Hsuan	TPE
23	AISSAHINE Faiza	ALG
24	NGUYEN Thuy	VIE
25	GIUFFRIDA Odette	ITA

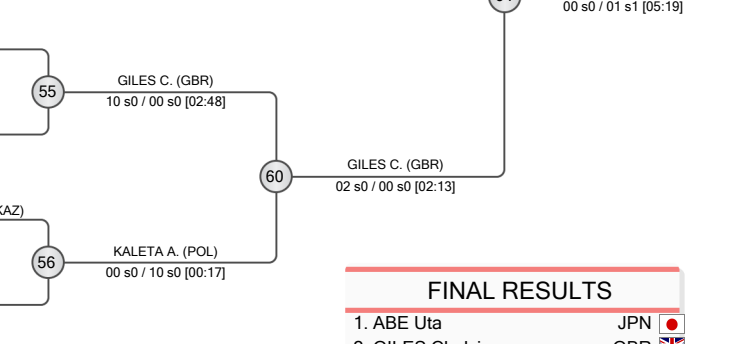
17	PUPP R. (HUN)	41	BISHRELT K. (MGL)
18	BISHRELT K. (MGL)	00 s3 / 10 s2 [11:53]	00 s3 / 10 s2 [11:53]
19	DIOGO J. (POR)	42	DIOGO J. (POR)
20	KADAMBOEVA S. (UZB)	10 s0 / 00 s0 [01:37]	10 s0 / 00 s0 [01:37]
21	KRASNIQI D. (KOS)	43	KRASNIQI D. (KOS)
22	HSU L. (TPE)	10 s0 / 00 s0 [00:33]	10 s0 / 00 s0 [00:33]
23	AISSAHINE F. (ALG)	44	GIUFFRIDA O. (ITA)
24	GIUFFRIDA O. (ITA)	00 s3 / 10 s1 [02:46]	00 s3 / 10 s1 [02:46]



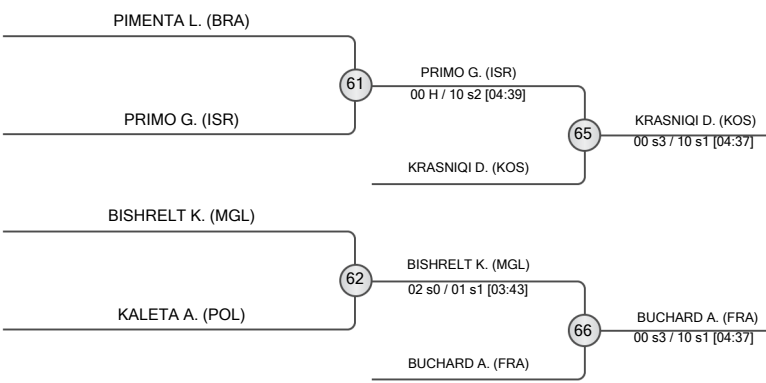
POOL D

25	GILES Chelsie	GBR
26	LIU Liping	CHN
27	SILVA Djamila	CPV
28	JARRELL Katelyn	USA
29	KOCHER Fabienne	SUI
30	IRMAGAMBETOVA Gaukhar	KAZ
31	BALLHAUS Mascha	GER
32	KALETA Aleksandra	POL

25	GILES C. (GBR)	45	GILES C. (GBR)
26	LIU L. (CHN)	10 s1 / 00 s1 [02:09]	10 s1 / 00 s1 [02:09]
27	SILVA D. (CPV)	46	JARRELL K. (USA)
28	JARRELL K. (USA)	00 s1 / 10 s0 [04:00]	00 s1 / 10 s0 [04:00]
29	KOCHER F. (SUI)	47	IRMAGAMBETOVA G. (KAZ)
30	IRMAGAMBETOVA G. (KAZ)	00 s0 / 10 s0 [00:18]	00 s0 / 10 s0 [00:18]
31	BALLHAUS M. (GER)	48	KALETA A. (POL)
32	KALETA A. (POL)	00 s0 / 11 s0 [02:28]	00 s0 / 11 s0 [02:28]



REPECHAGE



FINAL RESULTS	
1.	ABE Uta JPN
2.	GILES Chelsie GBR
3.	KRASNIQI Distria KOS
3.	BUCHARD Amandine FRA
5.	PRIMO Gefen ISR
5.	BISHRELT Khorloodoi MGL
7.	KALETA Aleksandra POL
7.	PIMENTA Larissa BRA





Tashkent World Championships Senior 2022

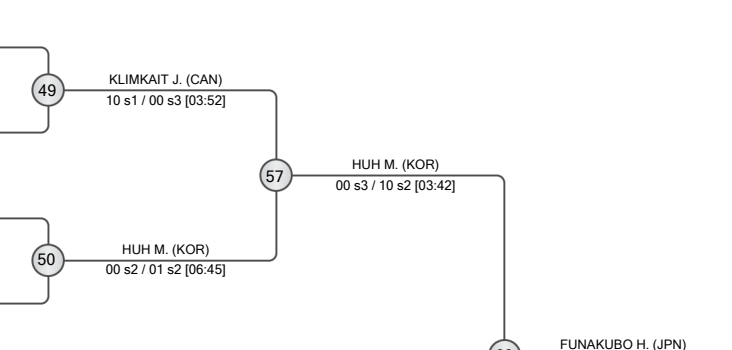
Uzbekistan, Tashkent, 6-12 Oct 2022

-57 kg
Women (42)

POOL A

1	KLIMKAIT Jessica	CAN
2	MARTIN Jasmine	RSA
3	LIEN Chen-Ling	TPE
4	LOXHA Flaka	KOS
5	PODOLAK Arleta	POL
6	LIBEER Mina	BEL
7	TOPOLOVEC Tihea	CRO
8	AMINOVA Shukurjon	UZB
9	KOCHKONBAEVA Adina	KGZ
10	HUH Mimi	KOR

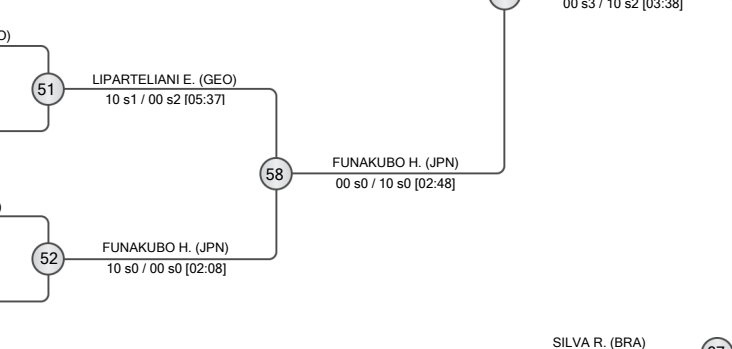
1	KLIMKAIT J. (CAN)	33	KLIMKAIT J. (CAN)
2	MARTIN J. (RSA)		10 s0 / 00 s3 [03:25]
3	LIEN C. (TPE)	34	LIEN C. (TPE)
4	PODOLAK A. (POL)		02 s1 / 00 s1 [03:07]
5	LIBEER M. (BEL)	35	LIBEER M. (BEL)
6	TOPOLOVEC T. (CRO)		01 s0 / 00 s2 [04:00]
7	AMINOVA S. (UZB)	36	HUH M. (KOR)
8	HUH M. (KOR)		00 s2 / 01 s2 [06:19]



POOL B

9	LIPARTELIANI Eteri	GEO
10	CAI Qi	CHN
11	PERISIC Marica	SRB
12	TONIOLO Veronica	ITA
13	ESTEVEZ Mariana	GUI
14	FUNAKUBO Haruka	JPN
15	KARAKAS Hedvig	HUN
16	YILDIZ Ozlem	TUR
17	LIMA Jessica	BRA
18	MUNKHTSEDEV Ichinkhorloo	MGL
19	ROSA Ana	DOM

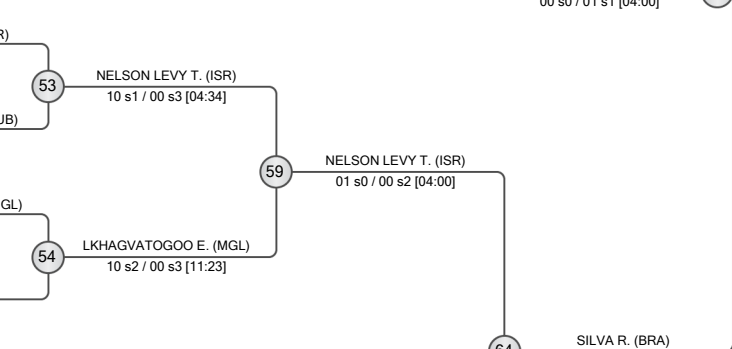
9	LIPARTELIANI E. (GEO)	37	LIPARTELIANI E. (GEO)
10	PERISIC M. (SRB)		10 s1 / 00 s1 [02:35]
11	TONIOLO V. (ITA)	38	TONIOLO V. (ITA)
12	ESTEVEZ M. (GUI)		01 s2 / 00 s2 [04:00]
13	FUNAKUBO H. (JPN)	39	FUNAKUBO H. (JPN)
14	KARAKAS H. (HUN)		10 s0 / 00 s0 [01:24]
15	LIMA J. (BRA)	40	LIMA J. (BRA)
16	ROSA A. (DOM)		02 s0 / 00 s0 [01:20]



POOL C

17	NELSON LEVY Timna	ISR
18	KOVACS Kitti	HUN
19	KAJZER Kaja	SLO
20	KOWALCZYK Julia	POL
21	ODELIN GARCIA Amaes	CUB
22	LKHAGVATOGOO Enkhriilen	MGL
23	DAHOUK Muna	IRT
24	LEGENTIL Christianne	MRI
25	HOLGUIN Mariah	USA
26	DEGUCHI Christa	CAN
27	DABONNE Zouleiha Abzetta	CIV

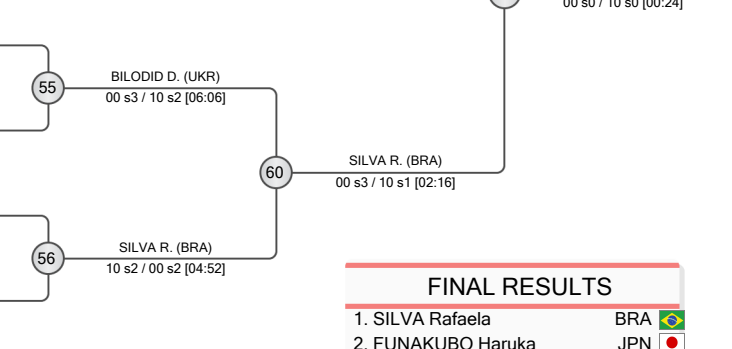
17	NELSON LEVY T. (ISR)	41	NELSON LEVY T. (ISR)
18	KOVACS K. (HUN)		01 s1 / 00 s2 [05:14]
19	KAJZER K. (SLO)	42	ODELIN GARCIA A. (CUB)
20	KOWALCZYK J. (POL)		10 s0 / 00 s3 [04:51]
21	LKHAGVATOGOO E. (MGL)	43	LKHAGVATOGOO E. (MGL)
22	DAHOUK M. (IRT)		10 s1 / 00 s2 [03:26]
23	HOLGUIN M. (USA)	44	DEGUCHI C. (CAN)
24	DEGUCHI C. (CAN)		00 s2 / 10 s2 [11:10]
25	DABONNE Z. (CIV)		10 s0 / 00 s1 [02:53]



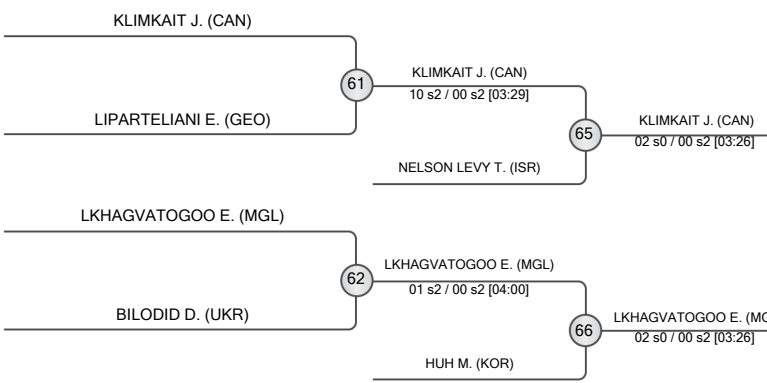
POOL D

25	CYSIQUE Sarah Leonie	FRA
26	STARKE Pauline	GER
27	TOPRAK Acelya	GBR
28	NISHANBAYEVA Sevara	KAZ
29	SAMARDZIC Andjela	BIH
30	BILODID Daria	UKR
31	SILVA Rafaela	BRA
32	ERMAGANBETOVA Nilufar	UZB
33	BREYTENBACH Donne	RSA
34	ILIEVA Ivelina	BUL

25	CYSIQUE S. (FRA)	45	CYSIQUE S. (FRA)
26	STARKE P. (GER)		01 s0 / 00 s1 [04:00]
27	SAMARDZIC A. (BIH)	46	BILODID D. (UKR)
28	BILODID D. (UKR)		00 s3 / 10 s2 [06:06]
29	SILVA R. (BRA)	47	SILVA R. (BRA)
30	ERMAGANBETOVA N. (UZB)		00 s1 / 10 s0 [01:25]
31	BREYTENBACH D. (RSA)	48	SILVA R. (BRA)
32	ILIEVA I. (BUL)		10 s0 / 00 s1 [02:27]
33	ILIEVA I. (BUL)		10 s2 / 00 s2 [04:52]



REPECHAGE



FINAL RESULTS		
1.	SILVA Rafaela	BRA
2.	FUNAKUBO Haruka	JPN
3.	KLIMKAIT Jessica	CAN
4.	LKHAGVATOGOO Enkhriilen	MGL
5.	HUH Mimi	KOR
6.	LIPARTELIANI Eteri	GEO
7.	BILODID Daria	UKR





Tashkent World Championships Senior 2022

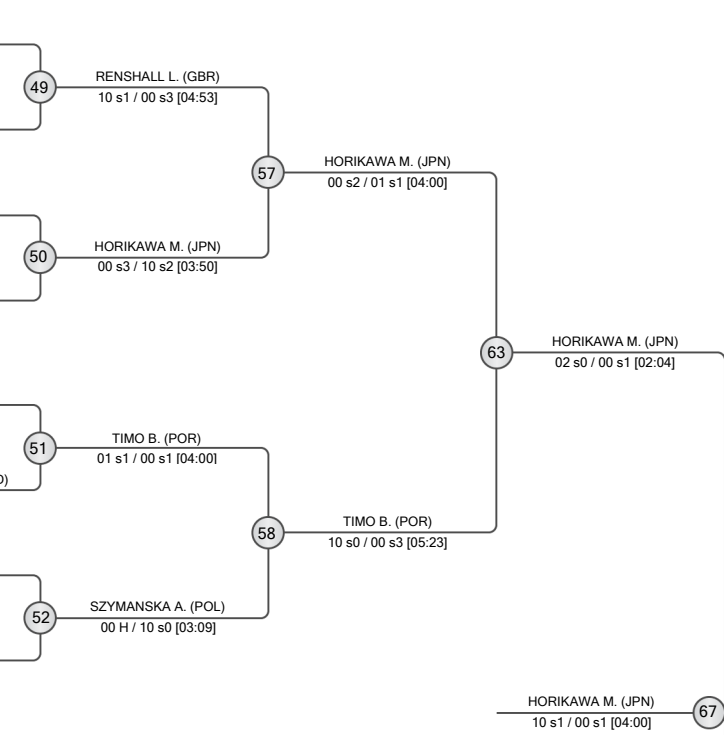
Uzbekistan, Tashkent, 6-12 Oct 2022

-63 kg
Women (41)

POOL A

1	RENSHALL Lucy	GBR
2	CABANA PEREZ Cristina	ESP
3	BELKADI Amina	ALG
4	BOLD Gankhaich	MGL
5	PRIMO Kerem	ISR
6	KUYULOVA Esmigul	KAZ
7	HAECKER Katharina	AUS
8	ANTIPINA Anastasiia	UKR
9	HORIKAWA Megumi	JPN
10	D ISANTO Nicolle	ITA

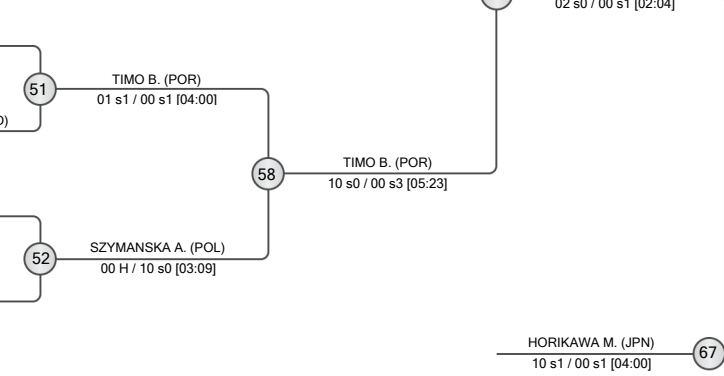
1	RENSHALL L. (GBR)	33	RENSHALL L. (GBR)
2	BELKADI A. (ALG)	34	PRIMO K. (ISR)
3	PRIMO K. (ISR)	35	HAECKER K. (AUS)
4	KUYULOVA E. (KAZ)	36	HORIKAWA M. (JPN)
5	HAECKER K. (AUS)	37	TIMO B. (POR)
6	ANTIPINA A. (UKR)	38	VAN DEN BERG G. (NED)
7	HORIKAWA M. (JPN)	39	OZBAS S. (HUN)
8	D ISANTO N. (ITA)	40	SZYMANSKA A. (POL)



POOL B

11	LESKI Andreja	SLO
12	TIMO Barbara	POR
13	OBRADOVIC Anja	SRB
14	VAN DEN BERG Geke	NED
15	FAYE Anna Siga	SEN
16	OZBAS Szofi	HUN
17	LEE Juyeon	KOR
18	SZYMANSKA Angelika	POL
19	DELGADO FRANCES Carolina	CPV
20	GOLDEN Sara	USA

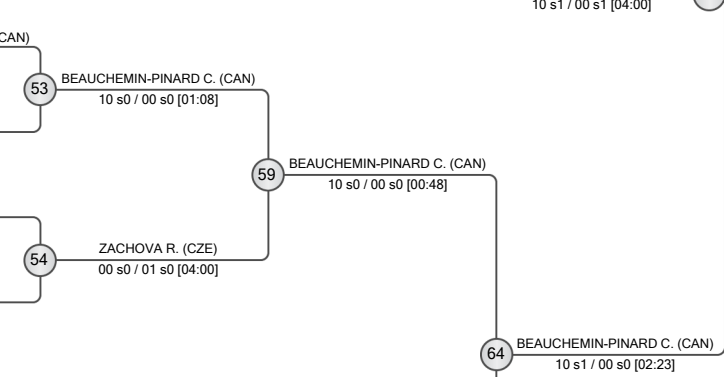
9	LESKI A. (SLO)	37	TIMO B. (POR)
10	TIMO B. (POR)	38	VAN DEN BERG G. (NED)
11	OBRADOVIC A. (SRB)	39	OZBAS S. (HUN)
12	VAN DEN BERG G. (NED)	40	SZYMANSKA A. (POL)
13	FAYE A. (SEN)	41	BEAUCHEMIN-PINARD C. (CAN)
14	OZBAS S. (HUN)	42	OBERAN I. (CRO)
15	LEE J. (KOR)	43	SHARIR G. (ISR)
16	SZYMANSKA A. (POL)	44	ZACHOVA R. (CZE)
17	GOLDEN S. (USA)	45	QUADROS K. (BRA)
18	GOLDEN S. (USA)	46	IVANESCU F. (ROU)
19	GOLDEN S. (USA)	47	VERMEER S. (NED)
20	GOLDEN S. (USA)	48	DEKETER M. (FRA)



POOL C

21	BEAUCHEMIN-PINARD Catherine	CAN
22	ETOUA BLOCK Audrey Jeannette	CMR
23	FAZLIU Laura	KOS
24	KIM JiJeong	KOR
25	OBERAN Iva	CRO
26	SHARIR Gili	ISR
27	PADILLA GUERRERO Sarai	ESP
28	DEL TORO CARVAJAL Maylin	CUB
29	BAZYNSKI Nadja	GER
30	ZACHOVA Renata	CZE
31	DASHKINOVA Zulhumar	TKM

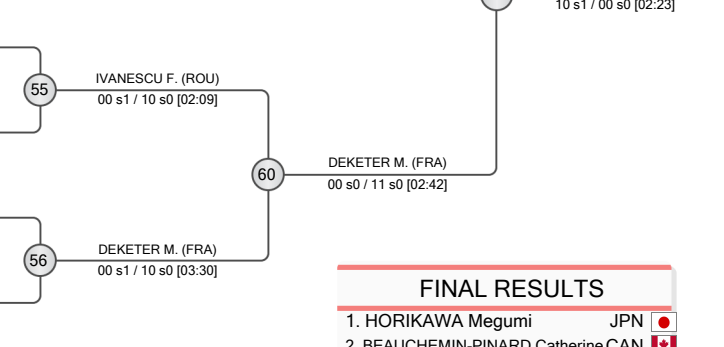
17	BEAUCHEMIN-PINARD C. (CAN)	41	BEAUCHEMIN-PINARD C. (CAN)
18	ETOUA BLOCK A. (CMR)	42	OBERAN I. (CRO)
19	FAZLIU L. (KOS)	43	SHARIR G. (ISR)
20	KIM J. (KOR)	44	ZACHOVA R. (CZE)
21	OBERAN I. (CRO)	45	QUADROS K. (BRA)
22	SHARIR G. (ISR)	46	IVANESCU F. (ROU)
23	PADILLA GUERRERO S. (ESP)	47	VERMEER S. (NED)
24	DEL TORO CARVAJAL M. (CUB)	48	DEKETER M. (FRA)
25	BAZYNSKI N. (GER)	49	RENSHALL L. (GBR)
26	ZACHOVA R. (CZE)	50	HORIKAWA M. (JPN)
27	DASHKINOVA Z. (TKM)	51	TIMO B. (POR)
28	DASHKINOVA Z. (TKM)	52	SZYMANSKA A. (POL)
29	DASHKINOVA Z. (TKM)	53	BEAUCHEMIN-PINARD C. (CAN)
30	DASHKINOVA Z. (TKM)	54	ZACHOVA R. (CZE)
31	DASHKINOVA Z. (TKM)	55	IVANESCU F. (ROU)
32	DASHKINOVA Z. (TKM)	56	DEKETER M. (FRA)



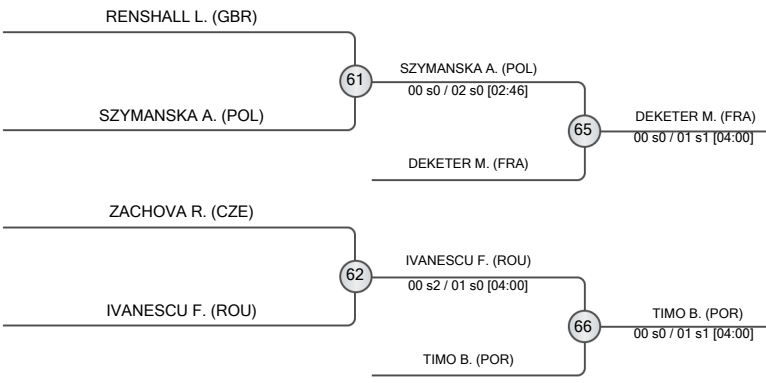
POOL D

32	QUADROS Ketleyn	BRA
33	TANG Jing	CHN
34	SANCHEZ Ariela	DOM
35	MARTIN Hannah	USA
36	IVANESCU Florentina	ROU
37	VERMEER Sanne	NED
38	NARYNOVA Moldir	KAZ
39	ISOKOVA Sevinch	UZB
40	ISAEVA Azhar	KGZ
41	DEKETER Manon	FRA

25	QUADROS K. (BRA)	45	QUADROS K. (BRA)
26	TANG J. (CHN)	46	IVANESCU F. (ROU)
27	SANCHEZ A. (DOM)	47	VERMEER S. (NED)
28	MARTIN H. (USA)	48	DEKETER M. (FRA)
29	IVANESCU F. (ROU)	49	RENSHALL L. (GBR)
30	VERMEER S. (NED)	50	HORIKAWA M. (JPN)
31	NARYNOVA M. (KAZ)	51	TIMO B. (POR)
32	ISOKOVA S. (UZB)	52	SZYMANSKA A. (POL)
33	ISAEVA A. (KGZ)	53	BEAUCHEMIN-PINARD C. (CAN)
34	DEKETER M. (FRA)	54	ZACHOVA R. (CZE)
35	DEKETER M. (FRA)	55	IVANESCU F. (ROU)
36	DEKETER M. (FRA)	56	DEKETER M. (FRA)
37	DEKETER M. (FRA)	57	HORIKAWA M. (JPN)
38	DEKETER M. (FRA)	58	TIMO B. (POR)
39	DEKETER M. (FRA)	59	BEAUCHEMIN-PINARD C. (CAN)
40	DEKETER M. (FRA)	60	DEKETER M. (FRA)
41	DEKETER M. (FRA)	61	SZYMANSKA A. (POL)
42	DEKETER M. (FRA)	62	IVANESCU F. (ROU)
43	DEKETER M. (FRA)	63	HORIKAWA M. (JPN)
44	DEKETER M. (FRA)	64	BEAUCHEMIN-PINARD C. (CAN)
45	DEKETER M. (FRA)	65	DEKETER M. (FRA)
46	DEKETER M. (FRA)	66	TIMO B. (POR)



REPECHAGE



FINAL RESULTS		
1.	HORIKAWA Megumi	JPN
2.	BEAUCHEMIN-PINARD Catherine	CAN
3.	DEKETER Manon	FRA
3.	TIMO Barbara	POR
5.	SZYMANSKA Angelika	POL
5.	IVANESCU Florentina	ROU
7.	RENSHALL Lucy	GBR
7.	ZACHOVA Renata	CZE





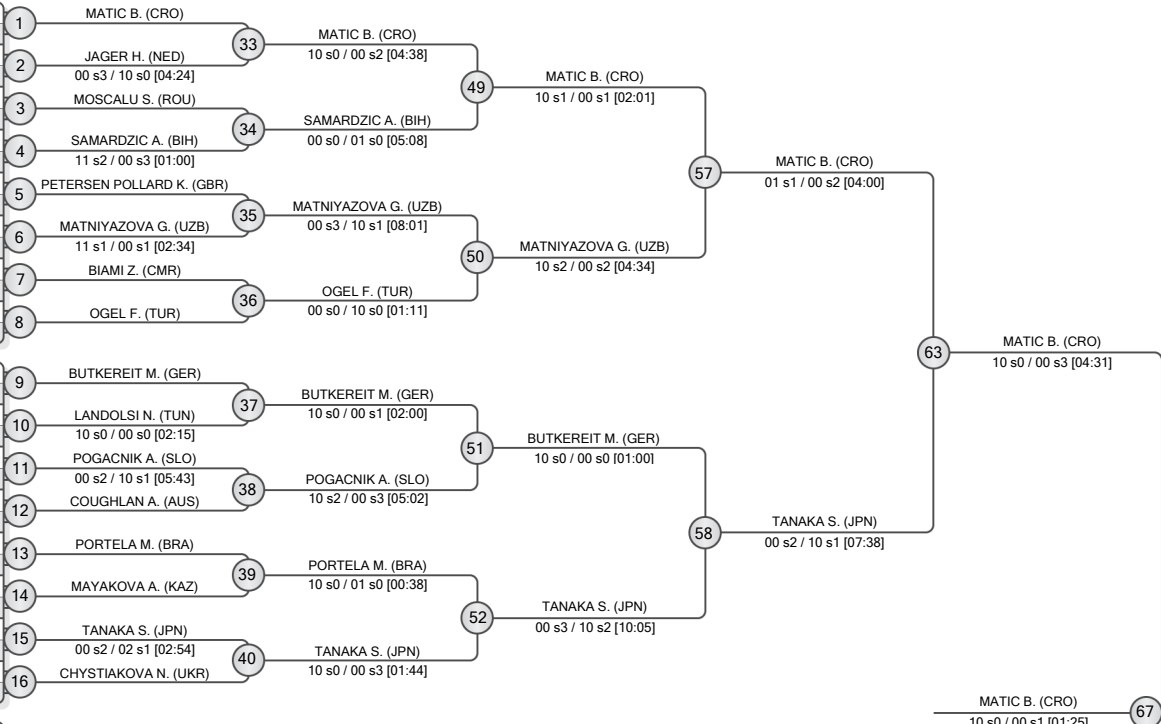
Tashkent World Championships Senior 2022

Uzbekistan, Tashkent, 6-12 Oct 2022

-70 kg
Women (44)

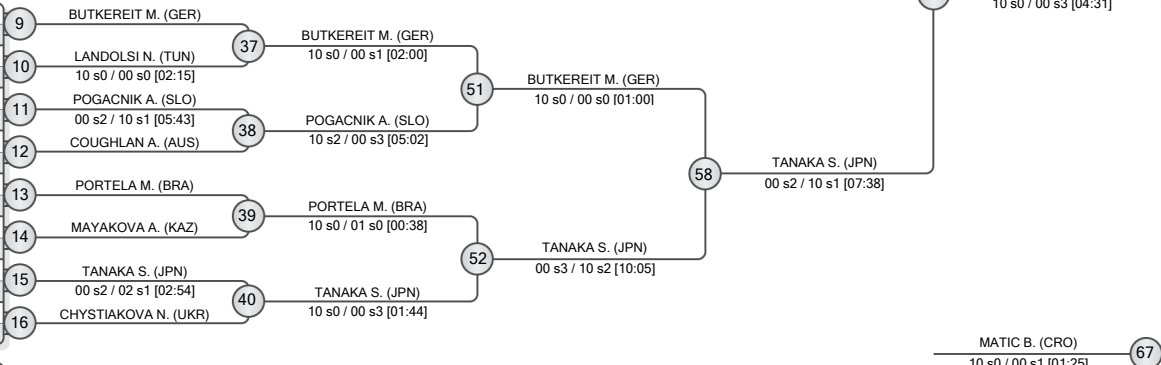
POOL A

	MATIC Barbara	CRO
	BERNHOLM Anna	SWE
	JAGER Hilde	NED
	MOSCALU Serafima	ROU
	SAMARDZIC Aleksandra	BIH
	TELTSIDOU Elisavet	GRE
	PETERSEN POLLARD Kelly	GBR
	MATNIYAZOVA Gulnoza	UZB
	WRIGHT Chantal	USA
	BIAMI Zita Ornella	CMR
	OGEL Fidan	TUR



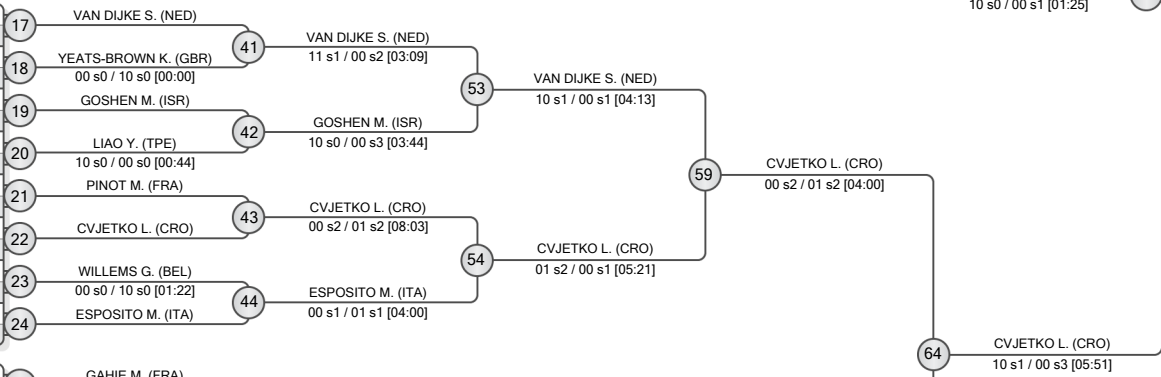
POOL B

	BUTKEREIT Miriam	GER
	LANDOLSI Nihel	TUN
	CHANG Ssu-Tzu	TPE
	GERCSAK Szabina	HUN
	POGACNIK Anka	SLO
	COUGHLAN Aoife	AUS
	PORTELA Maria	BRA
	MAYAKOVA Anastassiya	KAZ
	OLSEN Laerke	DEN
	TANAKA Shiho	JPN
	CHYSTIAKOVA Nataliia	UKR



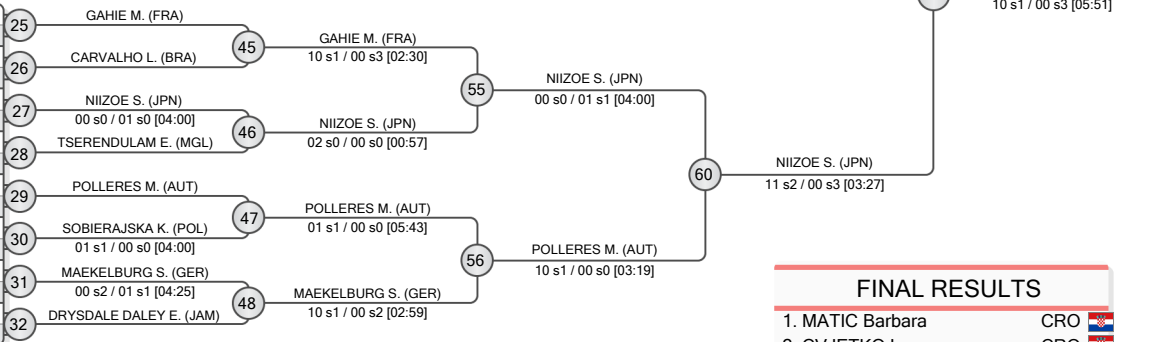
POOL C

	VAN DIJKE Sanne	NED
	SHAHEEN Nigara	IRT
	YEATS-BROWN Katie-Jemima	GBR
	GOSHEN Maya	ISR
	LIAO Yu-Jung	TPE
	NAZAROVA Shokhista	UZB
	PINOT Margaux	FRA
	CVJETKO Lara	CRO
	PEREZ Maria	PUR
	WILLEMS Gabriella	BEL
	ESPOSITO Martina	ITA

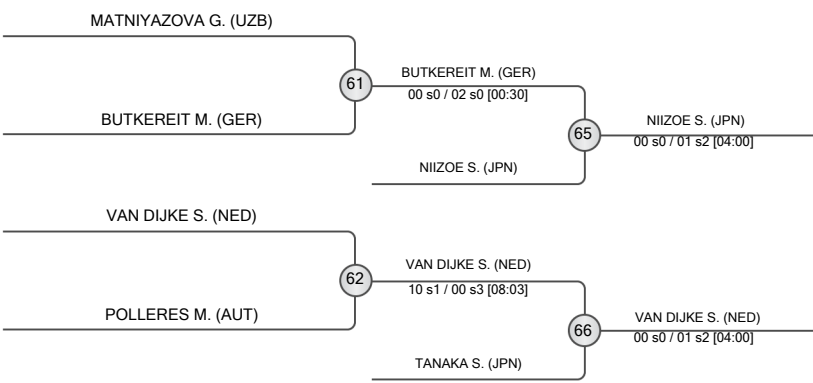


POOL D

	GAHIE Marie Eve	FRA
	CARVALHO Luana	BRA
	RODRIGUEZ Elvismar	VEN
	NIIZOE Saki	JPN
	TSERENDULAM Enkhchimeg	MGL
	POLLERES Michaela	AUT
	SOBIERAJSKA Katarzyna	POL
	TSUNODA ROUSTANT Ai	ESP
	ERIKSSON Ida	SWE
	MAEKELBURG Sarah	GER
	DRYSDALE DALEY Ebony	JAM



REPECHAGE



FINAL RESULTS		
1.	MATIC Barbara	CRO
2.	CVJETKO Lara	CRO
3.	NIIZOE Saki	JPN
3.	VAN DIJKE Sanne	NED
5.	BUTKEREIT Miriam	GER
5.	TANAKA Shiho	JPN
7.	MATNIYAZOVA Gulnoza	UZB
7.	POLLERES Michaela	AUT





Tashkent World Championships Senior 2022

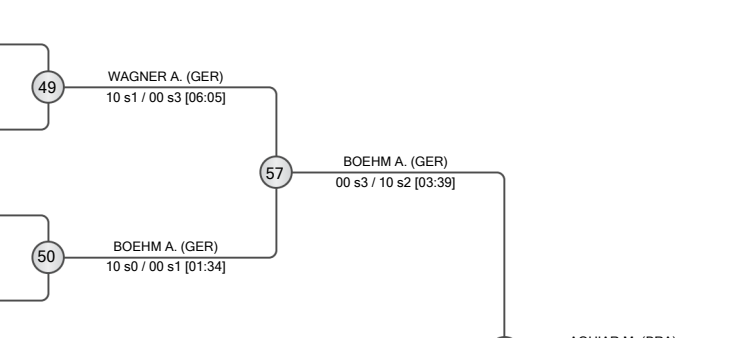
Uzbekistan, Tashkent, 6-12 Oct 2022

-78 kg
Women (33)

POOL A

GER	WAGNER Anna-Maria	GER	1
NED	AUSMA Natascha	NED	2
ITA	BELLANDI Alice	ITA	3
KGZ	NARUKHAMEDOVA Shakhida	KGZ	4
GER	BOEHM Alina	GER	5
CUB	ANTOMARCHI Kaliema	CUB	6
SLO	BROLIH Patricija	SLO	7
MGL	BATBAYAR Erdenet-Od	MGL	8

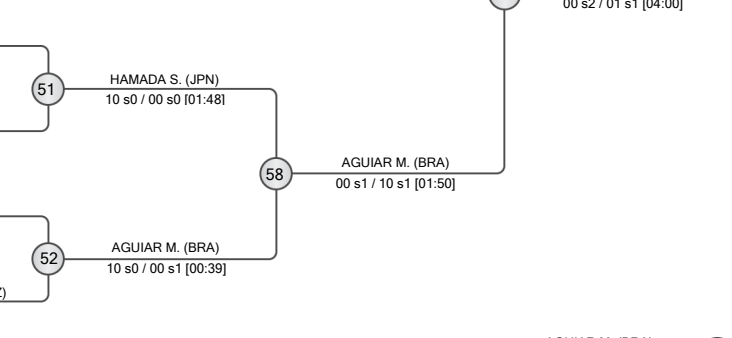
WAGNER A. (GER)	33	WAGNER A. (GER)	10 s2 / 00 s3 [05:55]
AUSMA N. (NED)	34	BELLANDI A. (ITA)	10 s0 / 00 s0 [00:47]
BOEHM A. (GER)	35	BROLIH P. (SLO)	01 s0 / 00 s0 [04:00]
ANTOMARCHI K. (CUB)	36		



POOL B

JPN	HAMADA Shori	JPN	9
KOR	LEE Jeongyun	KOR	10
GBR	POWELL Natalie	GBR	11
MAR	YATIM Hafsa	MAR	12
BRA	AGUIAR Mayra	BRA	13
CRO	PAVIC Petrunjela	CRO	14
TPE	SHIH Liu Li-Ling	TPE	15
KAZ	JANGELDINA Aruna	KAZ	16

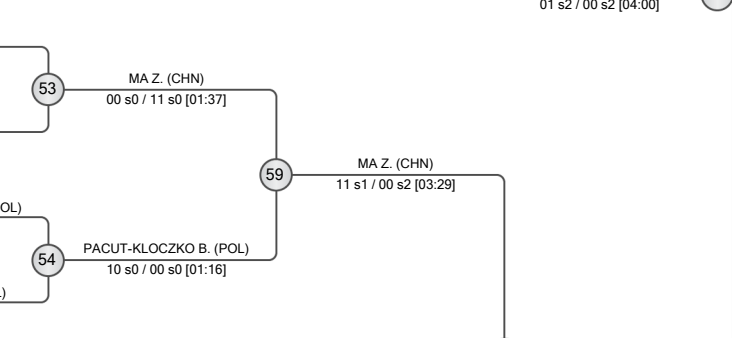
HAMADA S. (JPN)	37	HAMADA S. (JPN)	10 s0 / 00 s0 [01:08]
LEE J. (KOR)	38	POWELL N. (GBR)	10 s0 / 00 s1 [00:56]
AGUIAR M. (BRA)	39	JANGELDINA A. (KAZ)	00 s3 / 10 s0 [04:30]
PAVIC P. (CRO)	40		



POOL C

FRA	MALONGA Madeleine	FRA	17
KOR	YOON Hyunji	KOR	18
GBR	REID Emma	GBR	19
CHN	MA Zhenzhao	CHN	20
POL	PACUT-KLOCZKO Beata	POL	21
UZB	KURBANBAEVA Iriskhon	UZB	22
NZL	DE VILLIERS Moira	NZL	23
CYP	MICHAELIDOU Zanet	CYP	24
CMR	ARREY SOPHINA Ayuk Otay	CMR	24

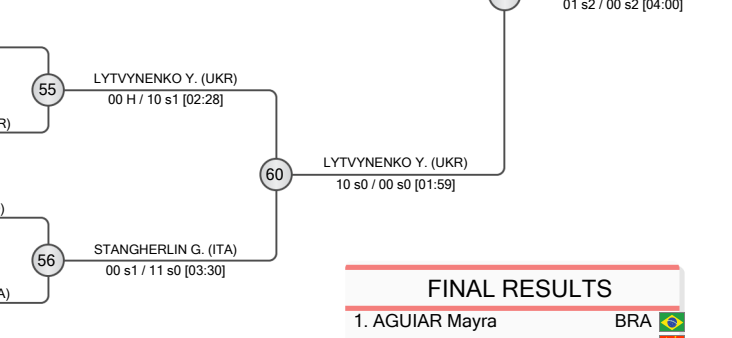
MALONGA M. (FRA)	41	YOON H. (KOR)	00 s3 / 10 s2 [04:43]
YOON H. (KOR)	42	MA Z. (CHN)	00 s0 / 01 s0 [04:26]
PACUT-KLOCZKO B. (POL)	43	DE VILLIERS M. (NZL)	02 s0 / 00 s0 [01:52]
MA Z. (CHN)	44		



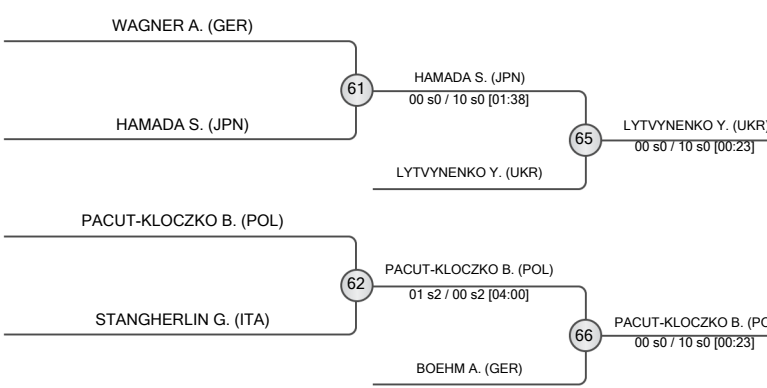
POOL D

ISR	LANIR Inbar	ISR	25
KOS	KUKA Loriana	KOS	26
LTU	DUDENAITE Migle	LTU	27
UKR	LYTVYVENKO Yelyzaveta	UKR	28
NED	STEENHUIS Guusje	NED	29
MNE	PEKOVIC Jovana	MNE	30
BEL	BERGER Sophie	BEL	31
ITA	STANGHERLIN Giorgia	ITA	32

LANIR I. (ISR)	45	KUKA L. (KOS)	00 s2 / 01 s0 [04:00]
LYTVYVENKO Y. (UKR)	46	STEENHUIS G. (NED)	10 s1 / 00 s2 [02:34]
STANGHERLIN G. (ITA)	47		
STANGHERLIN G. (ITA)	48		



REPECHAGE



FINAL RESULTS		
1.	AGUIAR Mayra	BRA
2.	MA Zhenzhao	CHN
3.	LYTVYVENKO Yelyzaveta	UKR
3.	PACUT-KLOCZKO Beata	POL
5.	HAMADA Shori	JPN
7.	BOEHM Alina	GER
7.	WAGNER Anna-Maria	GER
7.	STANGHERLIN Giorgia	ITA





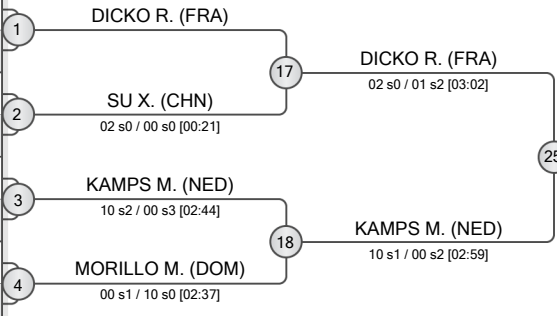
Tashkent World Championships Senior 2022

Uzbekistan, Tashkent, 6-12 Oct 2022

+ 78 kg
Women (29)

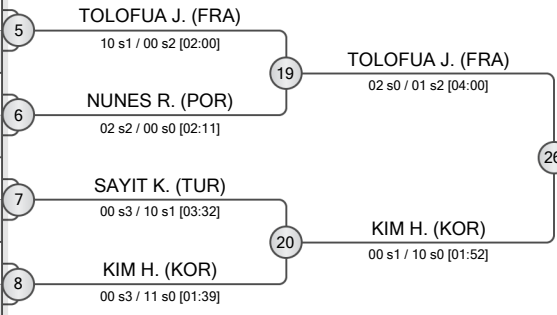
POOL A

	DICKO Romane	FRA
	SU Xin	CHN
	CUTRO-KELLY Nina	USA
	KAMPS Marit	NED
	BERLIKASH Kamila	KAZ
	TSAI Jia Wen	TPE
	MORILLO Moira	DOM



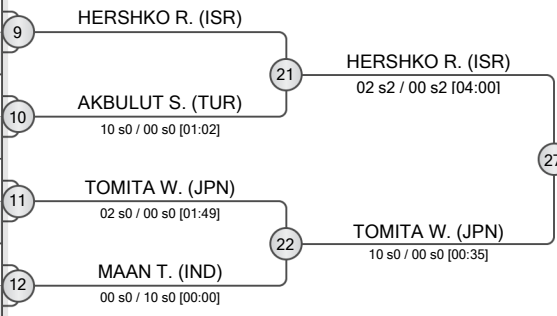
POOL B

	TOLOFUA Julia	FRA
	ZABIC Milica	SRB
	NUNES Rochele	POR
	PAULUSOVA Marketa	CZE
	CHEIKH ROUHOU Nihel	TUN
	SAYIT Kayra	TUR
	MARANIC Ivana	CRO
	KIM Hayun	KOR



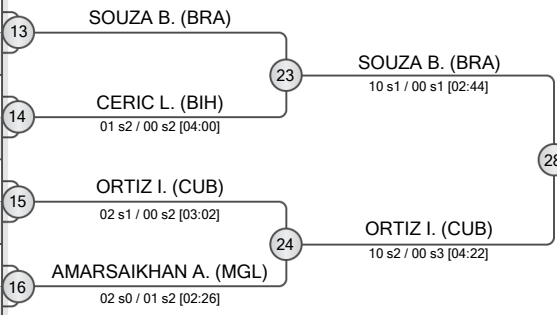
POOL C

	HERSHKO Raz	ISR
	AKBULUT Sebile	TUR
	SAGNA Monica	SEN
	TOMITA Wakaba	JPN
	WOLSZCZAK Kinga	POL
	RADIC Tina	CRO
	MAAN Tulika	IND

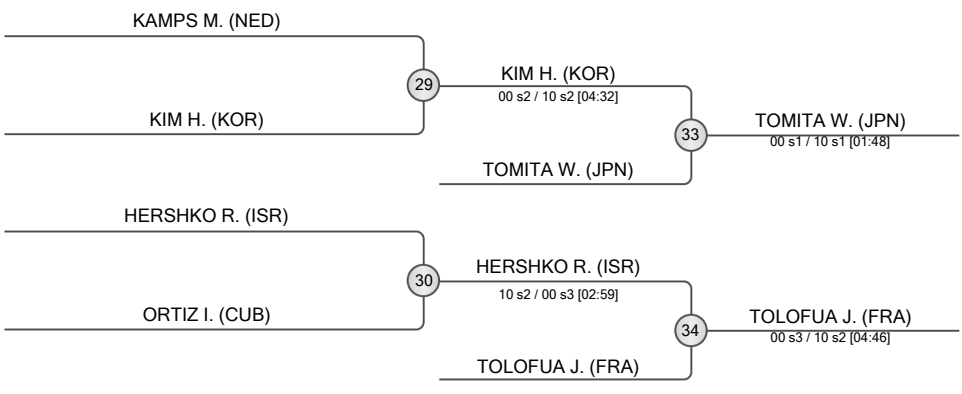


POOL D

	SOUZA Beatriz	BRA
	CERIC Larisa	BIH
	XU Shiyan	CHN
	ORTIZ Idalys	CUB
	SOMKHISHVILI Sophio	GEO
	AMARSAIKHAN Adiyasuren	MGL
	JABLONSKYTE Sandra	LTU



REPECHAGE



FINAL RESULTS	
1.	DICKO Romane
2.	SOUZA Beatriz
3.	TOMITA Wakaba
3.	TOLOFUA Julia
5.	KIM Hayun
5.	HERSHKO Raz
7.	ORTIZ Idalys
7.	KAMPS Marit





Tashkent World Championships Senior 2022

Uzbekistan, Tashkent, 6-12 Oct 2022

Men
Final results

-60 kg		
1	TAKATO Naohisa	JPN
2	ENKHTAIVAN Ariunbold	MGL
3	SMETOV Yeldos	KAZ
3	YANG Yung Wei	TPE
5	BARATOV Dilshodbek	UZB
5	WOLCZAK Yam	ISR
7	PANTANO Angelo	ITA
7	GARRIGOS Francisco	ESP

-66 kg		
1	ABE Hifumi	JPN
2	MARUYAMA Joshiro	JPN
3	AN Baul	KOR
3	VIERU Denis	MDA
5	MANZI Elios	ITA
5	MARGVELASHVILI Vazha	GEO
7	SHMAILOV Baruch	ISR
7	IADOV Bogdan	UKR

-73 kg		
1	TSEND-OCHIR Tsogtbaatar	MGL
2	HASHIMOTO Soichi	JPN
3	CARGNIN Daniel	BRA
3	HEYDAROV Hidayat	AZE
5	LOMBARDO Manuel	ITA
5	BUTBUL Tohar	ISR
7	MARGELIDON Arthur	CAN
7	SHAVDATUASHVILI Lasha	GEO

-81 kg		
1	GRIGALASHVILI Tato	GEO
2	CASSE Matthias	BEL
3	NAGASE Takanori	JPN
3	BORCHASHVILI Shamil	AUT
5	FUJIWARA Sotaro	JPN
5	MOLLAEI Saeid	AZE
7	UNGVARI Attila	HUN
7	LEE Joonhwan	KOR

-90 kg		
1	BOBONOV Davlat	UZB
2	PARLATI Christian	ITA
3	MAISURADZE Luka	GEO
3	BEKAURI Lasha	GEO
5	SILVA MORALES Ivan Felipe	CUB
5	MOSAKHLISHVILI Tristani	ESP
7	GOMES Marcelo	BRA
7	IVANOV Ivaylo	BUL

-100 kg		
1	TUROBOYEV Muzaffarbek	UZB
2	REYES Kyle	CAN
3	KORREL Michael	NED
3	KOTSOIEV Zelym	AZE
5	SULAMANIDZE Ilia	GEO
5	NIKIFOROV Toma	BEL
7	ELNAHAS Shady	CAN
7	FONSECA Jorge	POR

+100 kg		
1	GRANDA Andy	CUB
2	SAITO Tatsuru	JPN
3	TUSHISHVILI Guram	GEO
3	KIM Minjong	KOR
5	RAKHIMOV Temur	TJK
5	MEYER Roy	NED
7	KHAMMO Yakiv	UKR
7	YUSUPOV Alisher	UZB



Tashkent World Championships Senior 2022

Uzbekistan, Tashkent, 6-12 Oct 2022

Women Final results

-48 kg		
1	TSUNODA Natsumi	JPN
2	MENZ Katharina	GER
3	SCUTTO Assunta	ITA
3	ABUZHAKYNOVA Abiba	KAZ
5	FIGUEROA Julia	ESP
5	VARGAS LEY Mary Dee	CHI
7	TONAKI Funa	JPN
7	NIKOLIC Milica	SRB

-52 kg		
1	ABE Uta	JPN
2	GILES Chelsie	GBR
3	KRASNIQI Distria	KOS
3	BUCHARD Amandine	FRA
5	PRIMO Gefen	ISR
5	BISHRELT Khorloodoi	MGL
7	KALETA Aleksandra	POL
7	PIMENTA Larissa	BRA

-57 kg		
1	SILVA Rafaela	BRA
2	FUNAKUBO Haruka	JPN
3	KLIMKAIT Jessica	CAN
3	LKHAGVATOGOO Enkhriilen	MGL
5	NELSON LEVY Timna	ISR
5	HUH Mimi	KOR
7	LIPARTELIANI Eteri	GEO
7	BILODID Daria	UKR

-63 kg		
1	HORIKAWA Megumi	JPN
2	BEAUCHEMIN-PINARD Catherine	CAN
3	DEKETER Manon	FRA
3	TIMO Barbara	POR
5	SZYMANSKA Angelika	POL
5	IVANESCU Florentina	ROU
7	RENSHALL Lucy	GBR
7	ZACHOVA Renata	CZE

-70 kg		
1	MATIC Barbara	CRO
2	CVJETKO Lara	CRO
3	NIIZOE Saki	JPN
3	VAN DIJKE Sanne	NED
5	BUTKEREIT Miriam	GER
5	TANAKA Shiho	JPN
7	MATNIYAZOVA Gulnoza	UZB
7	POLLERES Michaela	AUT

-78 kg		
1	AGUIAR Mayra	BRA
2	MA Zhenzhao	CHN
3	LYTVYNENKO Yelyzaveta	UKR
3	PACUT-KLOCZKO Beata	POL
5	HAMADA Shori	JPN
5	BOEHM Alina	GER
7	WAGNER Anna-Maria	GER
7	STANGHERLIN Giorgia	ITA

+78 kg		
1	DICKO Romane	FRA
2	SOUZA Beatriz	BRA
3	TOMITA Wakaba	JPN
3	TOLOFUA Julia	FRA
5	KIM Hayun	KOR
5	HERSHKO Raz	ISR
7	ORTIZ Idalys	CUB
7	KAMPS Marit	NED



Medals

Tashkent World Championships Senior 2022, 6-12 Oct 2022

Medals

Nations: 25

#	Nation	1. Place	2. Place	3. Place	5. Place	7. Place
1.	JPN Japan	5	4	3	3	1
2.	BRA Brazil	2	1	1		2
3.	UZB Uzbekistan	2			1	2
4.	MGL Mongolia	1	1	1	1	
5.	CRO Croatia	1	1			
6.	GEO Georgia	1		3	2	2
7.	FRA France	1		3		
8.	CUB Cuba	1			1	1
9.	CAN Canada		2	1		2
10.	ITA Italy		1	1	2	2
11.	GER Germany		1		2	1
12.	BEL Belgium		1		1	
13.	GBR Great Britain		1			1
14.	CHN People's Republic of China		1			
15.	KOR Republic of Korea			2	2	1
16.	NED Netherlands			2	1	1
17.	AZE Azerbaijan			2	1	
18.	KAZ Kazakhstan			2		
19.	POL Poland			1	1	1
20.	UKR Ukraine			1		3
21.	AUT Austria			1		1
21.	POR Portugal			1		1
23.	TPE Chinese Taipei			1		
23.	KOS Kosovo			1		
23.	MDA Republic of Moldova			1		
26.	ISR Israel				5	1
27.	ESP Spain				2	1
28.	CHI Chile				1	
28.	ROU Romania				1	
28.	TJK Tajikistan				1	
31.	BUL Bulgaria					1
31.	CZE Czech Republic					1
31.	HUN Hungary					1
31.	SRB Serbia					1

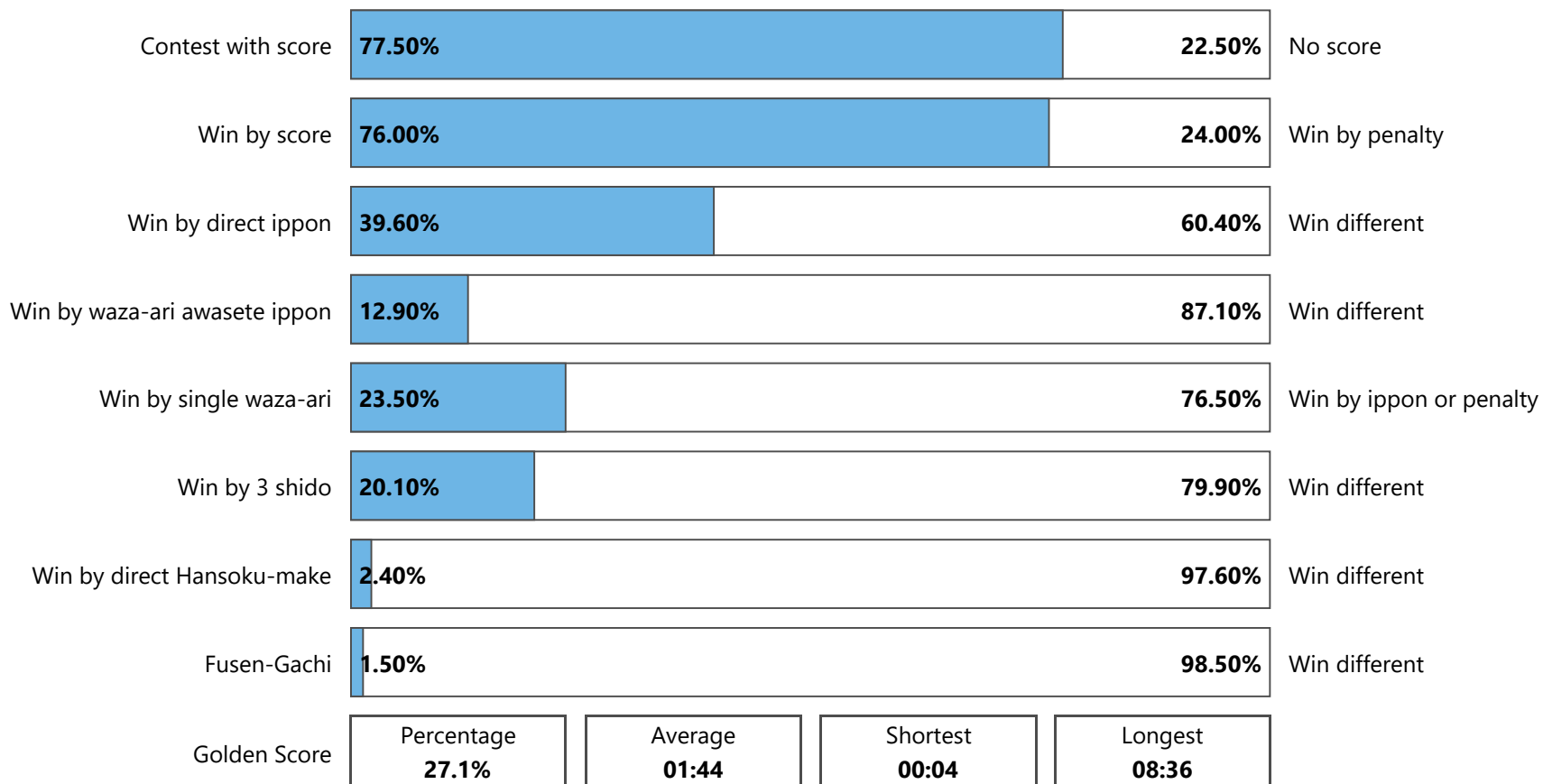
Official person:



Statistics

Tashkent World Championships Senior 2022, 6-12 Oct 2022

Statistics





Statistics

Tashkent World Championships Senior 2022, 6-12 Oct 2022

Statistics

	-60	-66	-73	-81	-90	-100	+100	M	-48	-52	-57	-63	-70	-78	+78	W	Total
Competitors	42	44	51	47	49	41	36	310	38	34	42	41	44	33	29	261	571
Contests	45	47	54	50	52	44	39	331	41	37	45	44	47	36	32	282	613
Contests with score	35	36	42	40	42	38	33	266	30	30	31	31	36	29	22	209	475
Contests with score %	77.8%	76.6%	77.8%	80%	80.8%	86.4%	84.6%	80.4%	73.2%	81.1%	68.9%	70.5%	76.6%	80.6%	68.8%	74.1%	77.5%
Wins by Score	35	36	40	38	41	38	33	261	29	30	31	31	34	29	21	205	466
Wins by Score %	77.8%	76.6%	74.1%	76%	78.8%	86.4%	84.6%	78.9%	70.7%	81.1%	68.9%	70.5%	72.3%	80.6%	65.6%	72.7%	76.0%
Wins by direct Ippon	16	17	16	16	24	21	18	128	16	16	17	19	19	18	10	115	243
Wins by direct Ippon %	35.6%	36.2%	29.6%	32%	46.2%	47.7%	46.2%	38.7%	39%	43.2%	37.8%	43.2%	40.4%	50%	31.3%	40.8%	39.6%
Wins by Waza-ari Awasete Ippon	7	6	5	5	6	10	7	46	3	5	5	4	3	3	10	33	79
Wins by Waza-ari Awasete Ippon %	15.6%	12.8%	9.3%	10%	11.5%	22.7%	17.9%	13.9%	7.3%	13.5%	11.1%	9.1%	6.4%	8.3%	31.3%	11.7%	12.9%
Wins by single Waza-ari	12	13	19	17	11	7	8	87	10	9	9	8	12	8	1	57	144
Wins by single Waza-ari %	26.7%	27.7%	35.2%	34%	21.2%	15.9%	20.5%	26.3%	24.4%	24.3%	20%	18.2%	25.5%	22.2%	3.1%	20.2%	23.5%
Wins by 3 Shido for opponent	6	9	14	12	8	6	5	60	6	5	14	10	12	6	10	63	123
Wins by 3 Shido for opponent %	13.3%	19.1%	25.9%	24%	15.4%	13.6%	12.8%	18.1%	14.6%	13.5%	31.1%	22.7%	25.5%	16.7%	31.3%	22.3%	20.1%
Direct Hansoku-make	3	1			2			6	4	1		3		1		9	15
Wins by direct Hansoku-make %	6.7%	2.1%	0%	0%	3.8%	0%	0%	1.8%	9.8%	2.7%	0%	6.8%	0%	2.8%	0%	3.2%	2.4%
Fusen-gachi	1	1			1		1	4	2	1			1		1	5	9
Fusen-gachi %	2.2%	2.1%	0%	0%	1.9%	0%	2.6%	1.2%	7.3%	2.7%	0%	0%	2.1%	0%	3.1%	1.8%	1.5%
All positive Scores (Waza-ari + direct Ippon)	48	45	50	55	58	65	46	367	37	38	36	38	42	35	35	261	628
Average Scores per contests	1.1	1	0.9	1.1	1.1	1.5	1.2	1.13	0.9	1	0.8	0.9	0.9	1	1.1	0.94	1.04
All penalties (Shido + HSK)	95	109	125	120	113	85	78	725	69	64	117	92	103	66	85	596	1321
Average penalty per contest	2.1	2.3	2.3	2.4	2.2	1.9	2	2.17	1.7	1.7	2.6	2.1	2.2	1.8	2.7	2.11	2.14
Golden Score	14	16	20	18	13	5	10	96	9	8	14	11	17	6	5	70	166
Golden Score %	31.1%	34%	37%	36%	25%	11.4%	25.6%	29.0%	22%	21.6%	31.1%	25%	36.2%	16.7%	15.6%	24.8%	27.1%
Osae-komi	42							42	13							13	55
Osae-komi %	93%	0%	0%	0%	0%	0%	0%	12.7%	32%	0%	0%	0%	0%	0%	0%	4.6%	9.0%
Wins by Penalty	9	10	14	12	10	6	5	66	10	6	14	13	12	7	10	72	138