

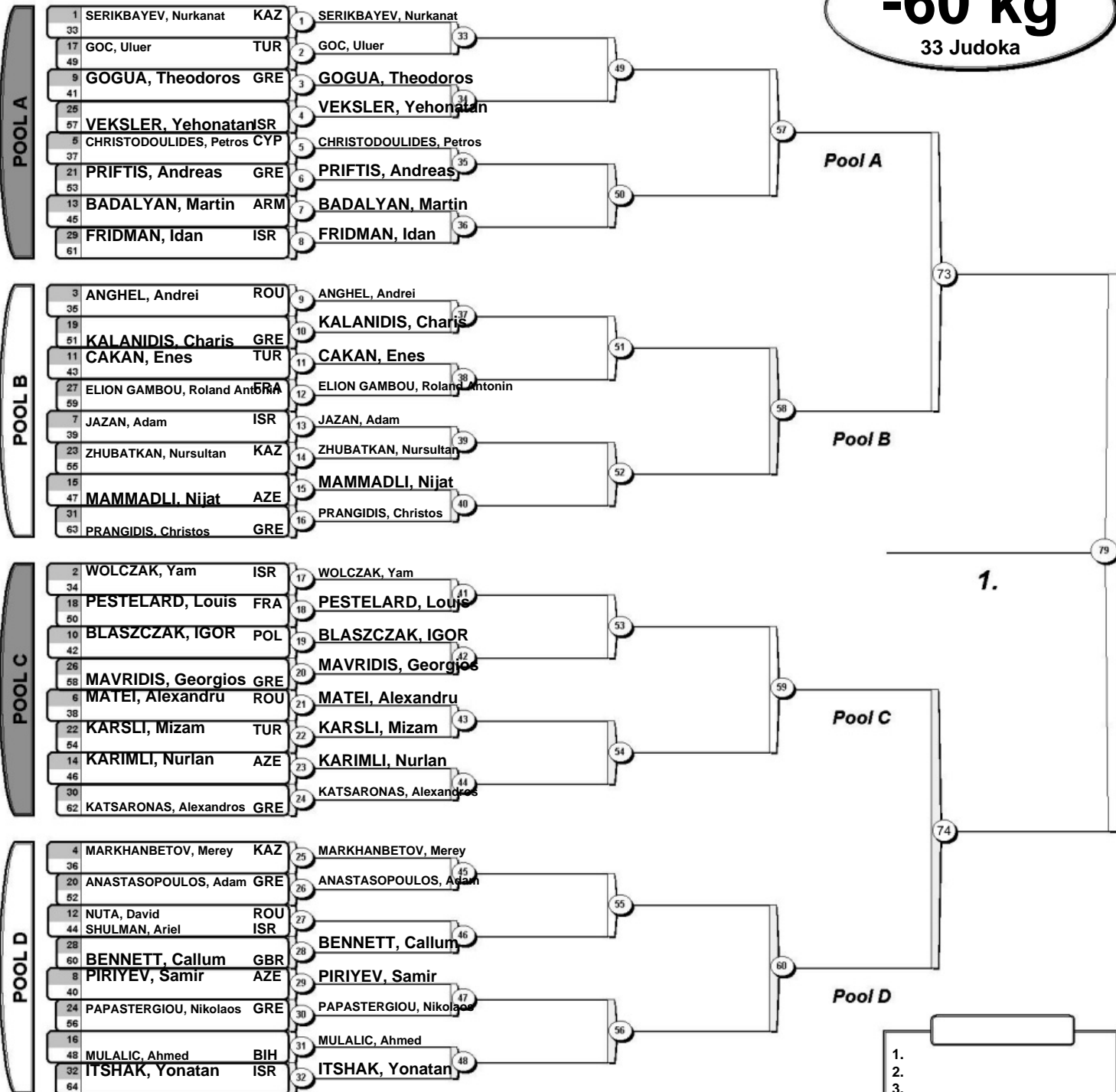


Athens Junior European Cup 2022

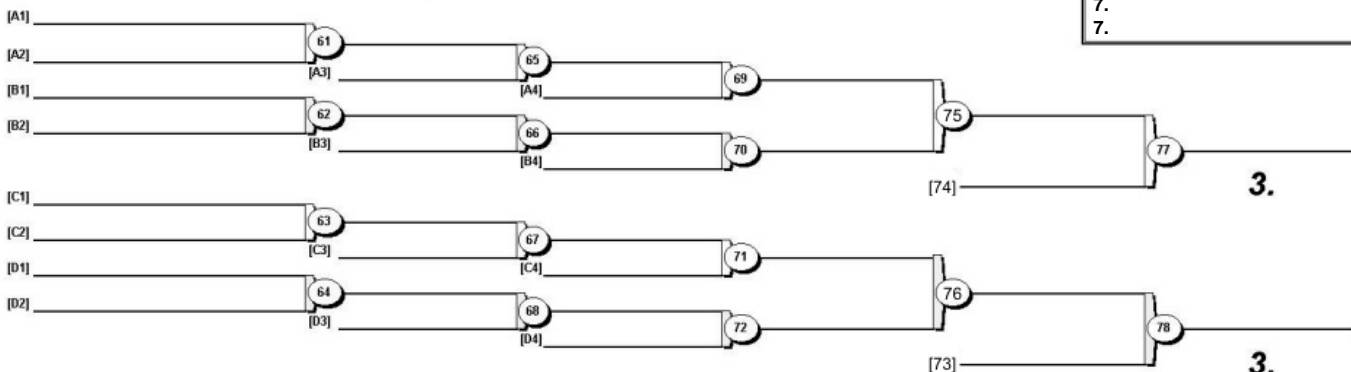
Athens (GRE), 26-27 Mar 2022

-60 kg

33 Judoka



- 1.
- 2.
- 3.
- 3.
- 5.
- 5.
- 7.
- 7.



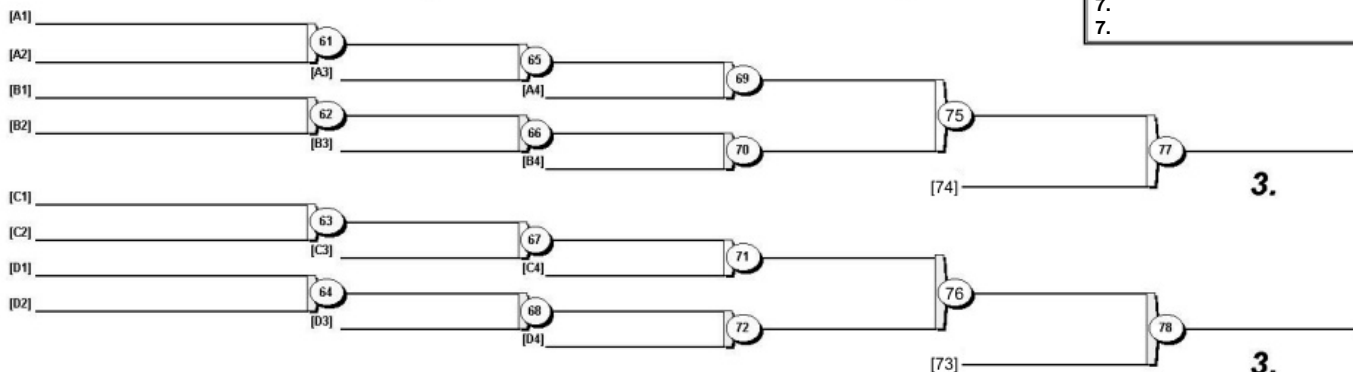
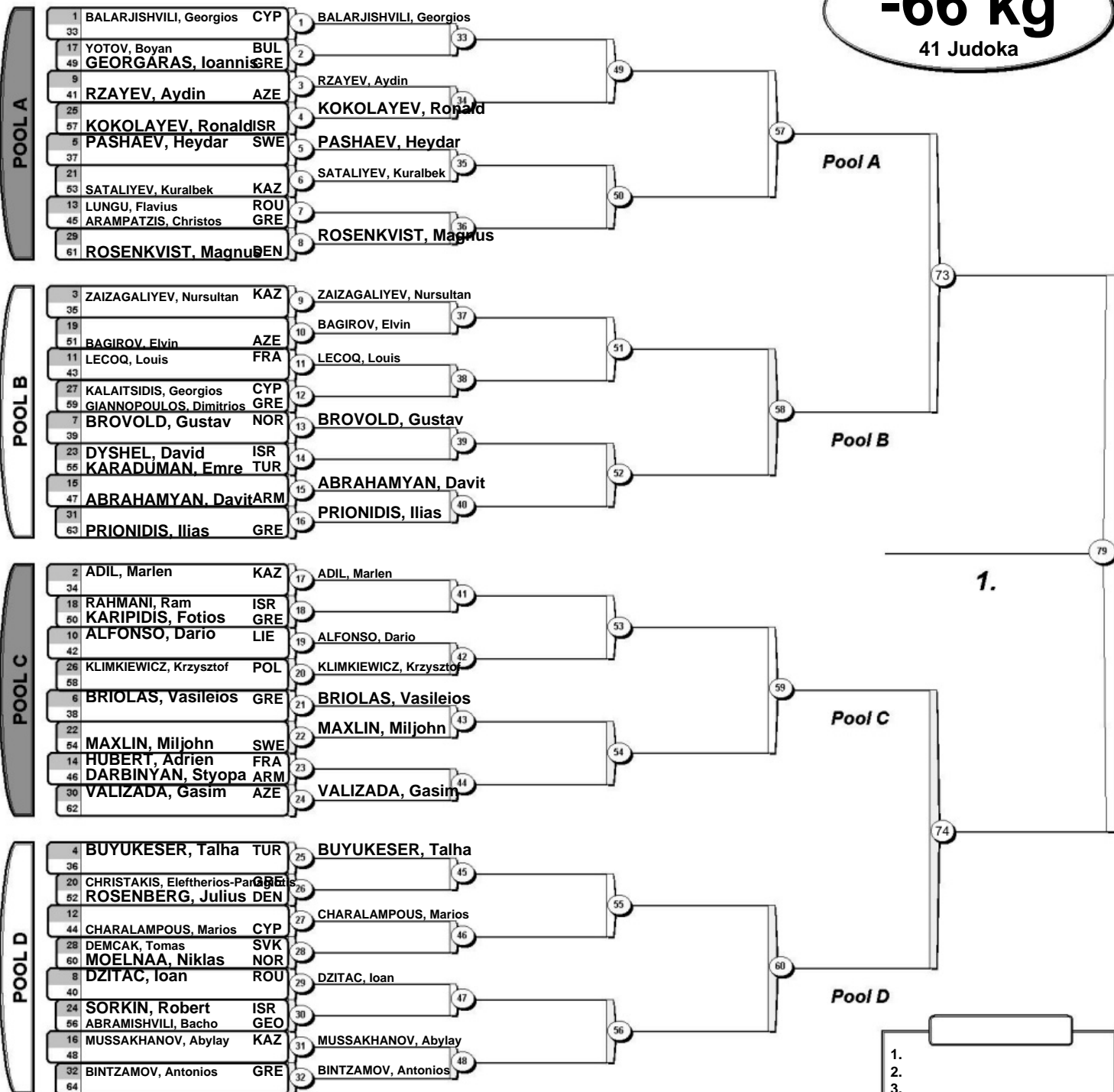


Athens Junior European Cup 2022

Athens (GRE), 26-27 Mar 2022

-66 kg

41 Judoka



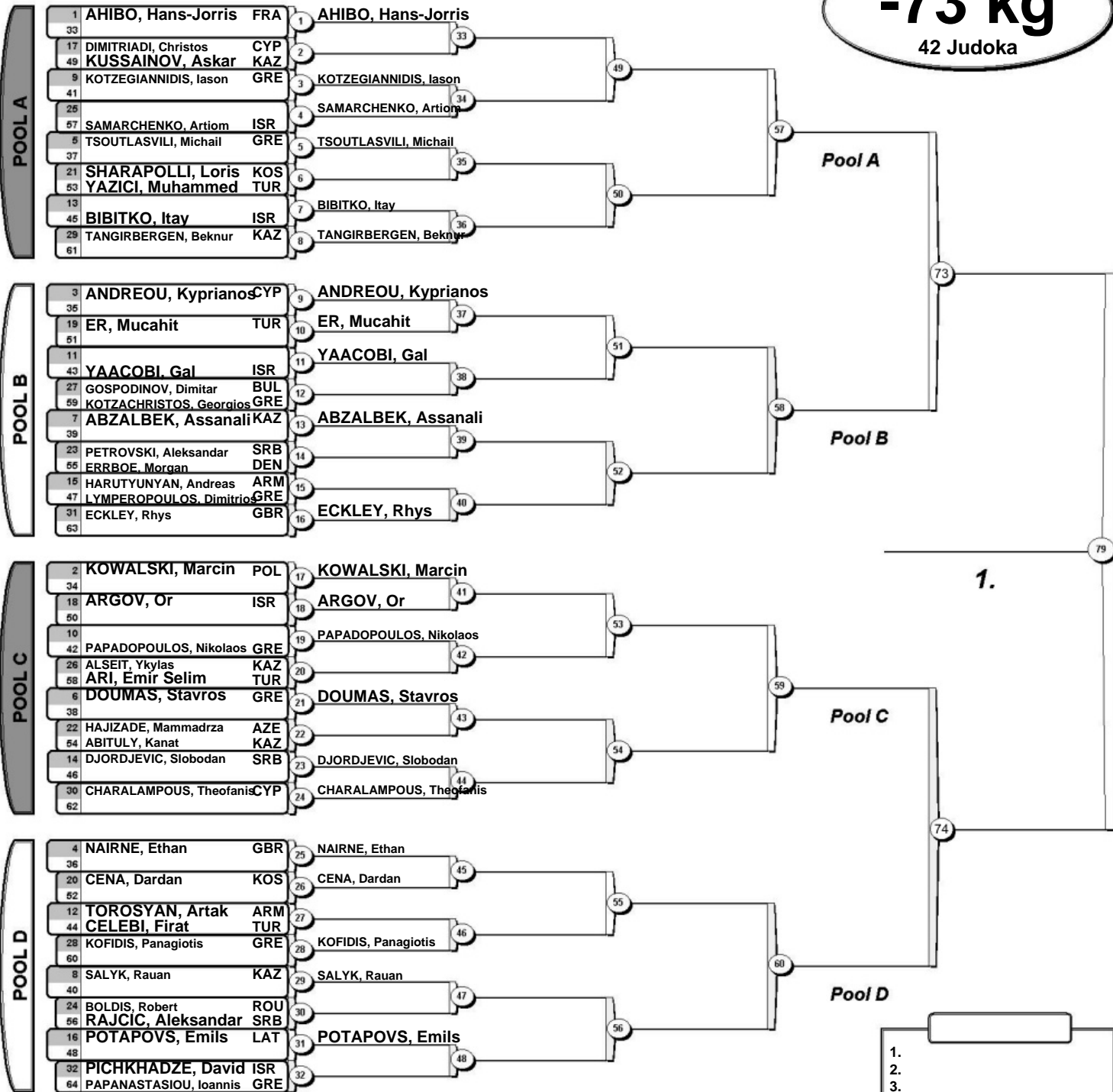


Athens Junior European Cup 2022

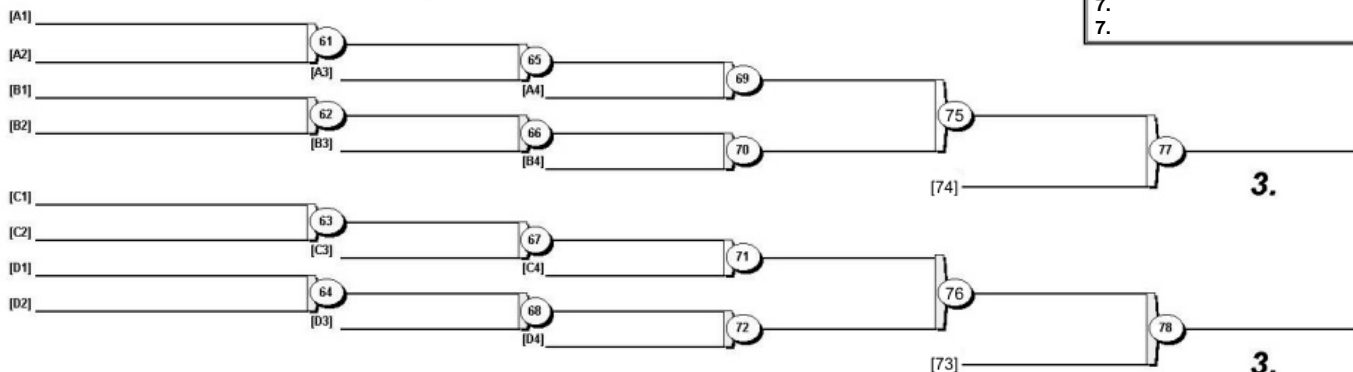
Athens (GRE), 26-27 Mar 2022

-73 kg

42 Judoka



- 1.
- 2.
- 3.
- 3.
- 5.
- 5.
- 7.
- 7.



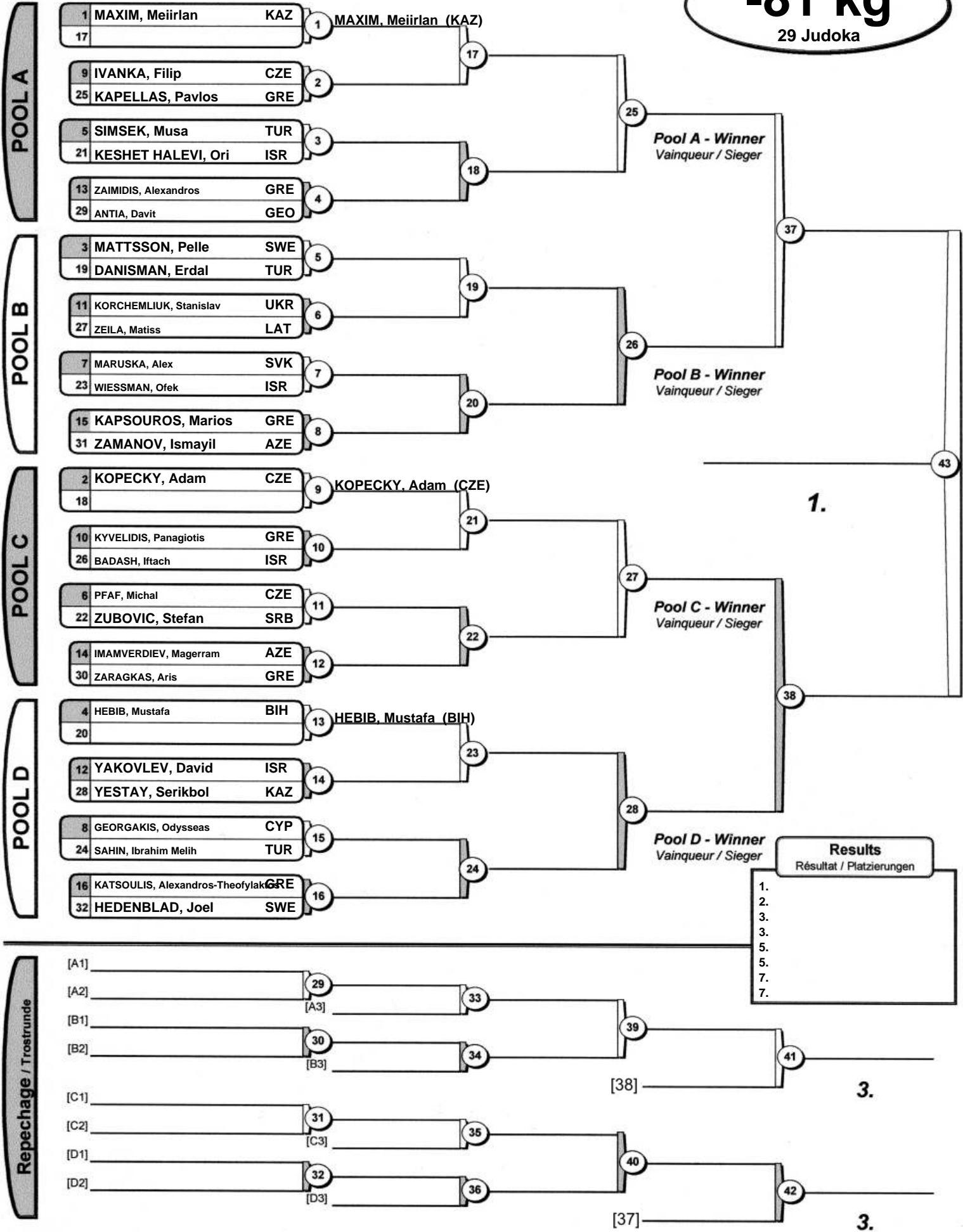


Athens Junior European Cup 2022

Athens (GRE), 26-27 Mar 2022

-81 kg

29 Judoka



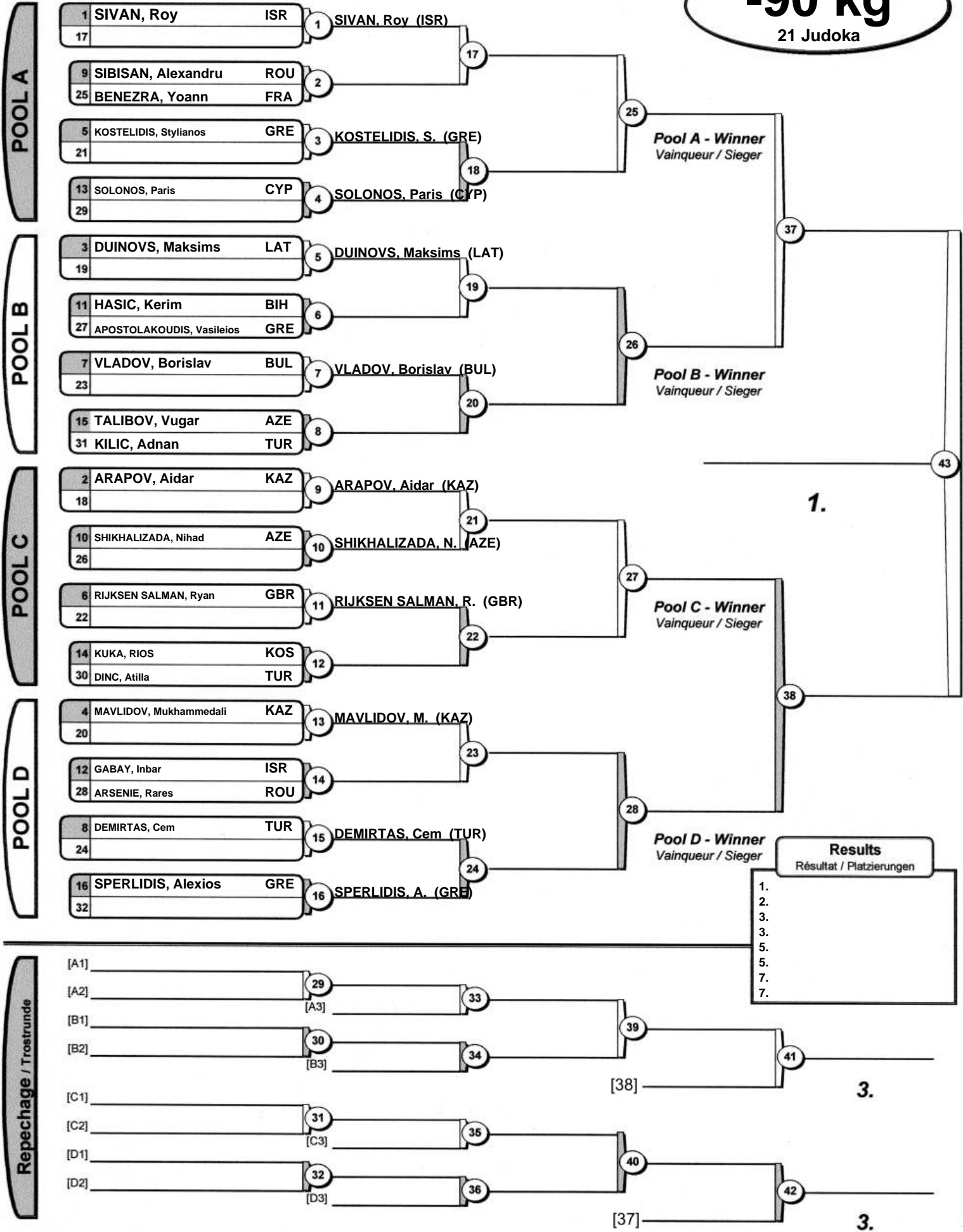


Athens Junior European Cup 2022

Athens (GRE), 26-27 Mar 2022

-90 kg

21 Judoka



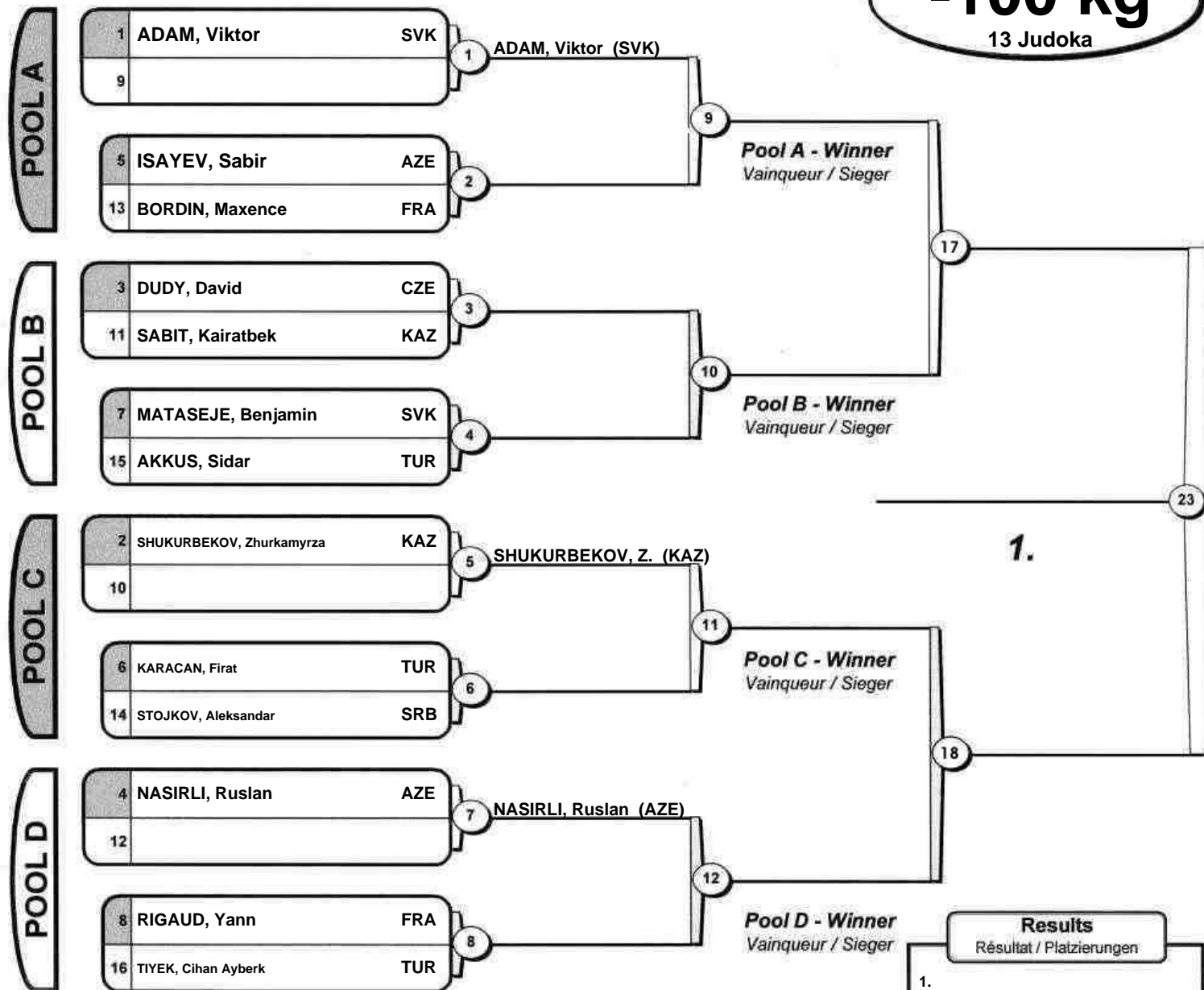


Athens Junior European Cup 2022

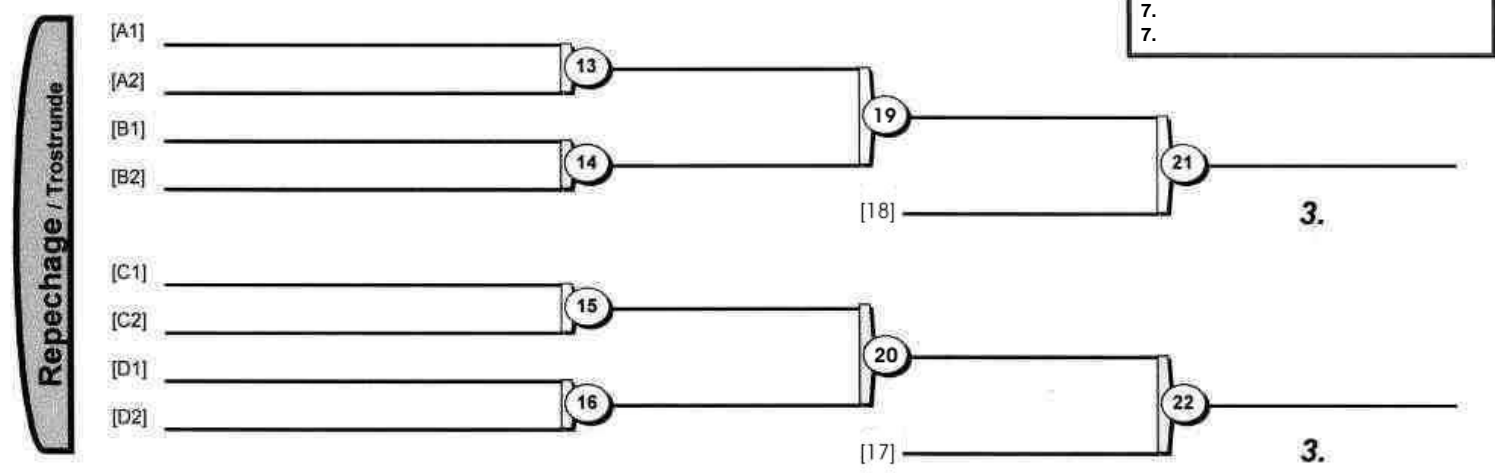
Athens (GRE), 26-27 Mar 2022

-100 kg

13 Judoka



| Results | |
|--------------------------|--|
| Résultat / Platzierungen | |
| 1. | |
| 2. | |
| 3. | |
| 3. | |
| 5. | |
| 5. | |
| 7. | |
| 7. | |



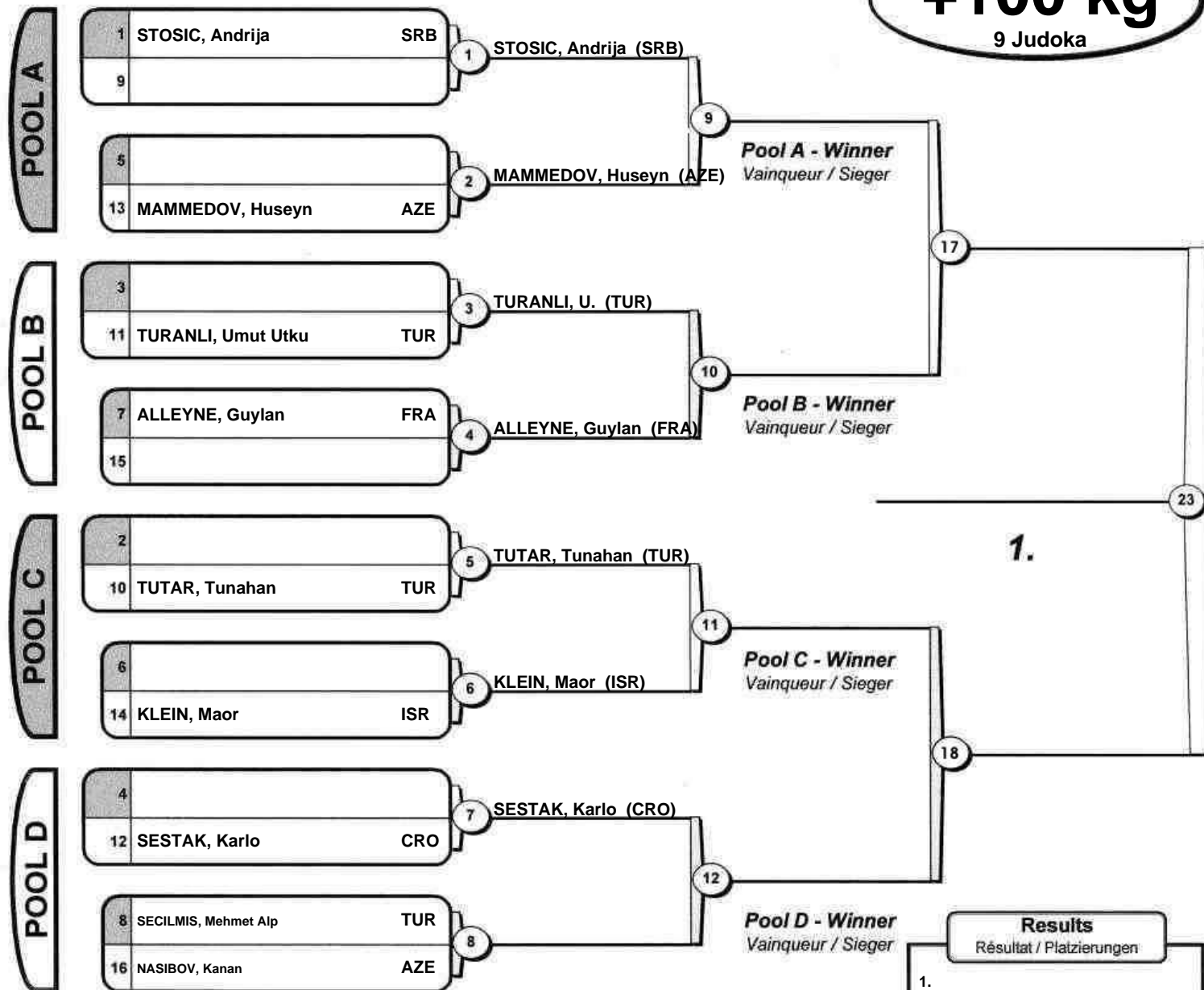


Athens Junior European Cup 2022

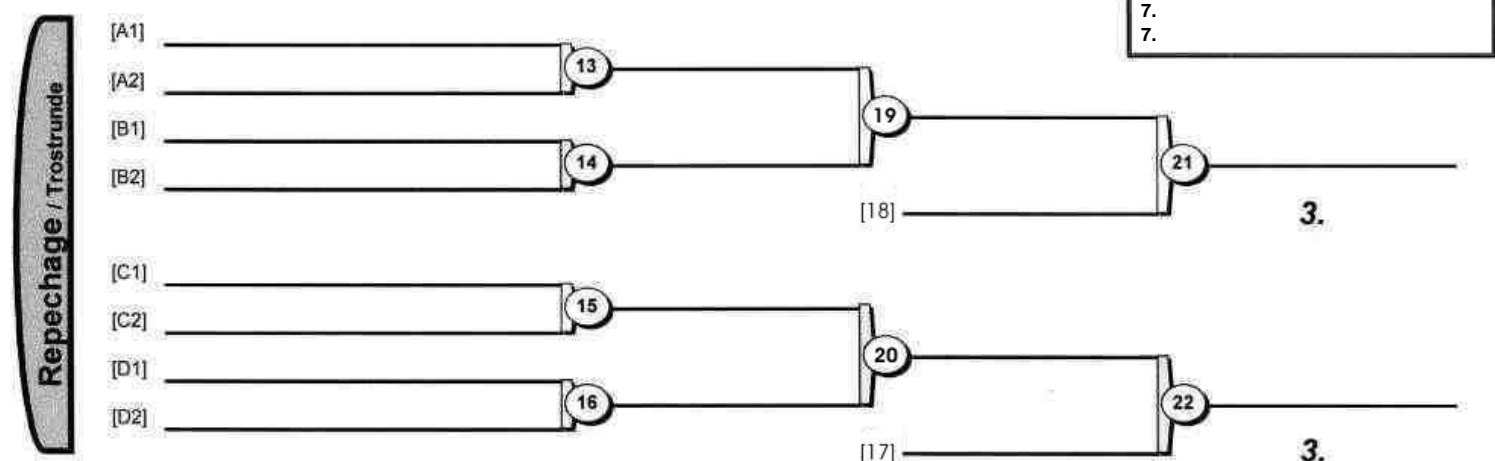
Athens (GRE), 26-27 Mar 2022

+100 kg

9 Judoka



| Results | |
|--------------------------|--|
| Résultat / Platzierungen | |
| 1. | |
| 2. | |
| 3. | |
| 3. | |
| 5. | |
| 5. | |
| 7. | |
| 7. | |



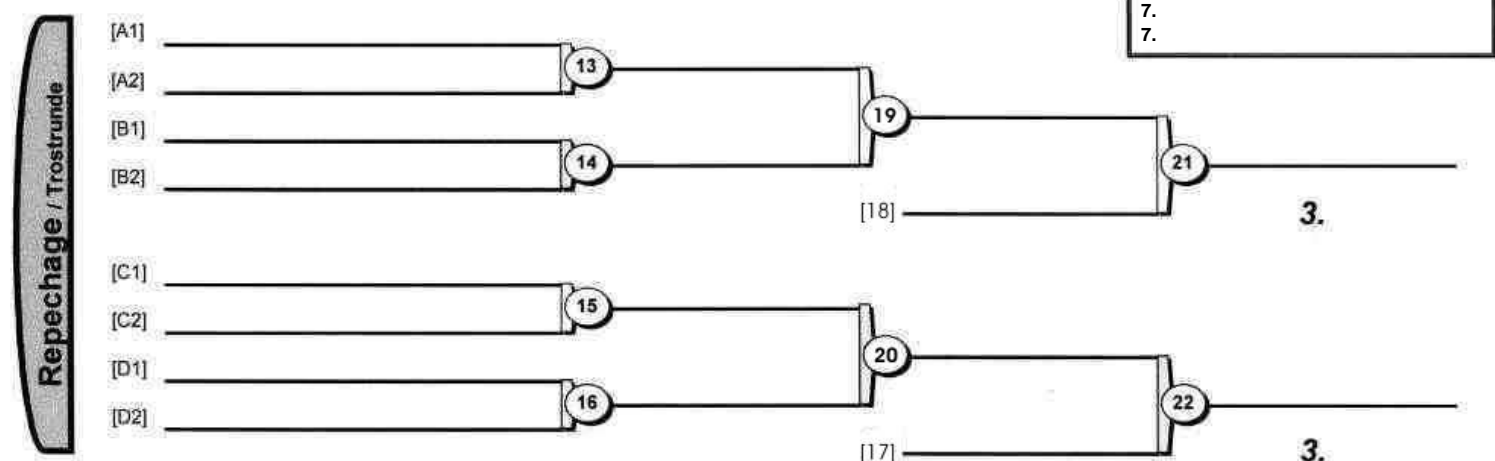
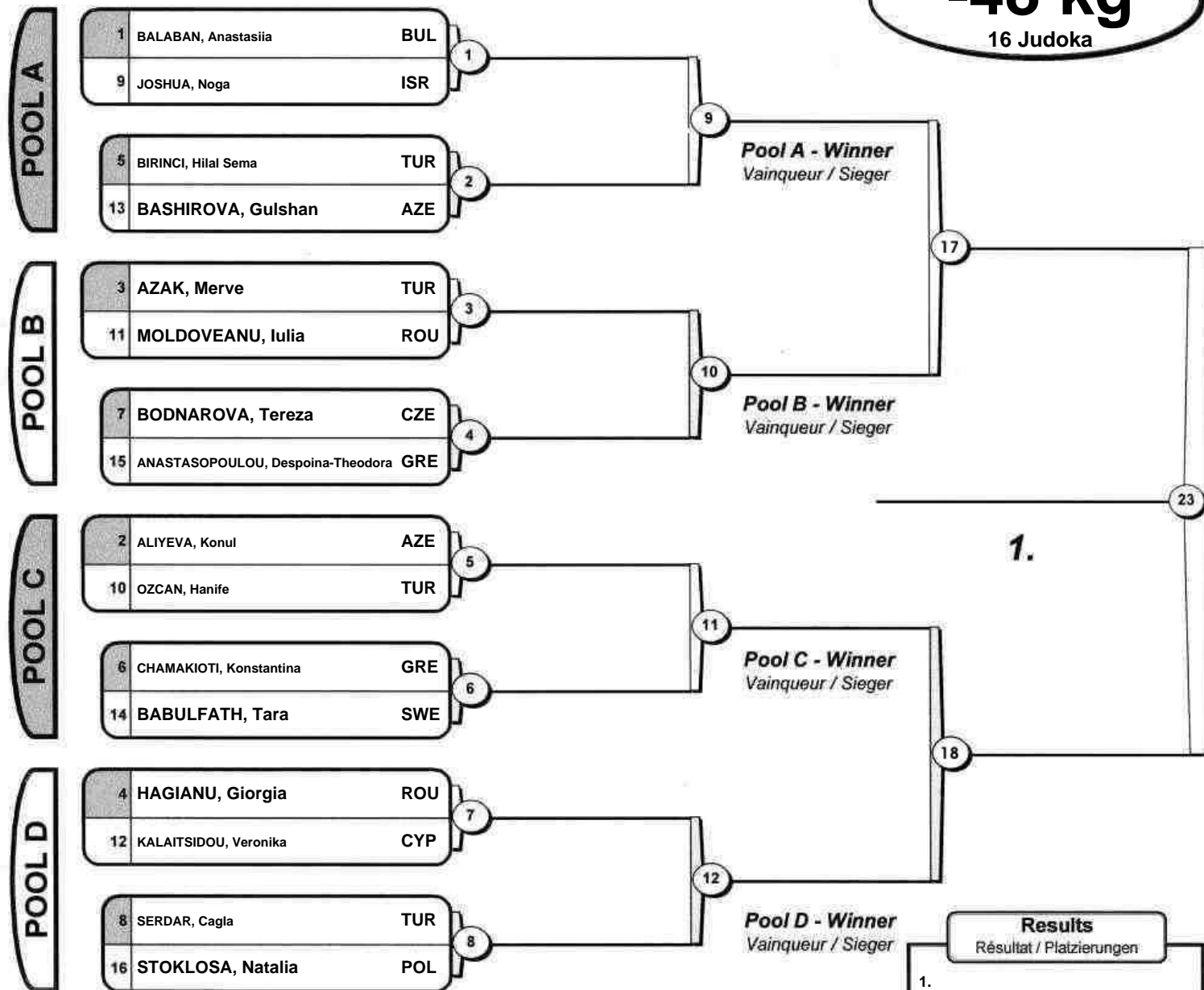


Athens Junior European Cup 2022

Athens (GRE), 26-27 Mar 2022

-48 kg

16 Judoka



| Results | |
|--------------------------|--|
| Résultat / Platzierungen | |
| 1. | |
| 2. | |
| 3. | |
| 3. | |
| 5. | |
| 5. | |
| 7. | |
| 7. | |



Athens Junior European Cup 2022

Athens (GRE), 26-27 Mar 2022

-52 kg

22 Judoka

POOL A

| | | | | |
|----|----------------------|-----|----|------------------------|
| 1 | MUMINOVIQ, Erza | KOS | 1 | MUMINOVIQ, Erza (KOS) |
| 17 | | | 17 | |
| 9 | PAPASTERGIOU, Martha | GRE | 2 | PAPASTERGIOU, M. (GRE) |
| 25 | | | 25 | |
| 5 | MARINAKI, Rafaella | GRE | 3 | MARINAKI, R. (GRE) |
| 21 | | | 18 | |
| 13 | SERAS, Humeyra | TUR | 4 | |
| 29 | ALIYEVA, Rita | AZE | | |

Pool A - Winner
Vainqueur / Sieger

POOL B

| | | | | |
|----|---------------------|-----|----|---------------------|
| 3 | RAAB, Yarden | ISR | 5 | RAAB, Yarden (ISR) |
| 19 | | | 19 | |
| 11 | NISAVIC, Nikolina | SRB | 6 | |
| 27 | TSAPARA, Maria | GRE | | |
| 7 | KARABULUT, Buketnur | TUR | 7 | KARABULUT, B. (TUR) |
| 23 | | | 20 | |
| 15 | HODSON, Lola | GBR | 8 | |
| 31 | BADICEANU, Florina | ROU | | |

Pool B - Winner
Vainqueur / Sieger

POOL C

| | | | | |
|----|--------------------|-----|----|-----------------------|
| 2 | POLNICKA, Marie | CZE | 9 | POLNICKA, Marie (CZE) |
| 18 | | | 21 | |
| 10 | LAVY, Ruth | ISR | 10 | LAVY, Ruth (ISR) |
| 26 | | | 27 | |
| 6 | GOGUA, Maria Eleni | GRE | 11 | GOGUA, M. (GRE) |
| 22 | | | 22 | |
| 14 | GUNES, Gokce | TUR | 12 | |
| 30 | KLIMCZAK, Kinga | POL | | |

Pool C - Winner
Vainqueur / Sieger

POOL D

| | | | | |
|----|------------------------|-----|----|----------------------|
| 4 | KEEN, Tatum | GBR | 13 | KEEN, Tatum (GBR) |
| 20 | | | 23 | |
| 12 | KOCYIGIT, Ilayda Merve | TUR | 14 | |
| 28 | ROUNTI, Marina | GRE | | |
| 8 | PETROVIC, Mila | BIH | 15 | PETROVIC, Mila (BIH) |
| 24 | | | 24 | |
| 16 | PASCA, Alexandra | ROU | 16 | |
| 32 | CANI, Jugerta | GRE | | |

Pool D - Winner
Vainqueur / Sieger

1.

43

Results
Résultat / Platzierungen

- 1.
- 2.
- 3.
- 5.
- 5.
- 7.
- 7.

Repechage / Trostrunde

| | | | | | | | |
|------|--|----|------|----|------|----|----|
| [A1] | | 29 | | 33 | | | |
| [A2] | | | [A3] | | | | |
| [B1] | | | | | 39 | | |
| [B2] | | 30 | | 34 | | 41 | |
| | | | [B3] | | | | |
| [C1] | | | | | [38] | | 3. |
| [C2] | | 31 | | 35 | | | |
| | | | [C3] | | | | |
| [D1] | | | | | 40 | | |
| [D2] | | 32 | | 36 | | 42 | |
| | | | [D3] | | | | |
| | | | | | [37] | | 3. |



Athens Junior European Cup 2022

Athens (GRE), 26-27 Mar 2022

-57 kg

21 Judoka

POOL A

| | | | | |
|----|-------------------------|-----|----|------------------------|
| 1 | SOKIRJANSKA, Anastasija | LAT | 1 | SOKIRJANSKA, A. (LAT) |
| 17 | | | 17 | |
| 9 | ACHILLEOS, Anna | CYP | 2 | ACHILLEOS, Anna (CYP) |
| 25 | | | 25 | |
| 5 | | | 3 | PELAMATTI, Katie (FRA) |
| 21 | PELAMATTI, Katie | FRA | 18 | |
| 13 | ALIYEVA, Sabina | AZE | 4 | |
| 29 | BUDAK, Aysenur | TUR | | |

Pool A - Winner
Vainqueur / Sieger

POOL B

| | | | | |
|----|-------------------|-----|----|---------------------|
| 3 | TELEM, Yael | ISR | 5 | TELEM, Yael (ISR) |
| 19 | | | 19 | |
| 11 | GJAKOVA, Debora | KOS | 6 | |
| 27 | KARADAG, Aysenur | TUR | | |
| 7 | SIRINIDOU, Galini | GRE | 7 | SIRINIDOU, G. (GRE) |
| 23 | | | 20 | |
| 15 | CVJETKO, Nina | CRO | 8 | CVJETKO, Nina (CRO) |
| 31 | | | | |

Pool B - Winner
Vainqueur / Sieger

POOL C

| | | | | |
|----|--------------------------|-----|----|-----------------------|
| 2 | KASAPI, Fationa | KOS | 9 | KASAPI, Fationa (KOS) |
| 18 | | | 21 | |
| 10 | ZAGURI, Daniella | ISR | 10 | |
| 26 | KARLSSON, Hillevi | SWE | | |
| 6 | WATOREK, Oliwia | POL | 11 | WATOREK, Oliwia (POL) |
| 22 | | | 22 | |
| 14 | OGUZ, Reyhan | TUR | 12 | |
| 30 | PAPADOPOULOU, Aikaterina | GRE | | |

Pool C - Winner
Vainqueur / Sieger

POOL D

| | | | | |
|----|-------------------|-----|----|-----------------------|
| 4 | DORI, Romi | ISR | 13 | DORI, Romi (ISR) |
| 20 | | | 23 | |
| 12 | GAVALA, Evangelia | GRE | 14 | |
| 28 | IORDANOU, Charis | CYP | | |
| 8 | COTARD, Maelenn | FRA | 15 | COTARD, Maelenn (FRA) |
| 24 | | | 24 | |
| 16 | BAYRAKTAR, Gul | TUR | 16 | BAYRAKTAR, Gul (TUR) |
| 32 | | | | |

Pool D - Winner
Vainqueur / Sieger

1.

Results
Résultat / Platzierungen

- 1.
- 2.
- 3.
- 3.
- 5.
- 5.
- 7.
- 7.

Repechage / Trostrunde

| | | | | | | | |
|------|--|----|------|----|------|----|----|
| [A1] | | 29 | | 33 | | | |
| [A2] | | | [A3] | | | | |
| [B1] | | | | | 39 | | |
| [B2] | | 30 | | 34 | | 41 | |
| | | | [B3] | | | | |
| [C1] | | | | | [38] | | 3. |
| [C2] | | 31 | | 35 | | | |
| [D1] | | | [C3] | | | | |
| [D2] | | 32 | | 36 | | 40 | |
| | | | [D3] | | | | |
| | | | | | [37] | | 3. |



Athens Junior European Cup 2022

Athens (GRE), 26-27 Mar 2022

-63 kg

24 Judoka

POOL A

| | | | | |
|----|------------------|-----|----|-----------------------|
| 1 | AFYONLU, Habibe | TUR | 1 | AFYONLU, Habibe (TUR) |
| 17 | | | 17 | |
| 9 | DEVAL, Holly | GBR | 2 | |
| 25 | FIZELOVA, Ema | SVK | 2 | |
| 5 | | | 3 | TSEPA, Angeliki (GRE) |
| 21 | TSEPA, Angeliki | GRE | 3 | |
| 13 | COHEN UDI, Yuval | ISR | 4 | |
| 29 | ZIHRI, Maillys | FRA | 4 | |

Pool A - Winner
Vainqueur / Sieger

POOL B

| | | | | |
|----|----------------------|-----|----|-----------------------|
| 3 | CHAYEB, Aqulina | LBN | 5 | CHAYEB, Aqulina (LBN) |
| 19 | | | 19 | |
| 11 | GRIGORE, Nicoleta | ROU | 6 | |
| 27 | NISAVIC, Kristina | SRB | 6 | |
| 7 | NOVITZKI, Adelina | ISR | 7 | NOVITZKI, A. (ISR) |
| 23 | | | 7 | |
| 15 | KARASTRATIDOU, Eleni | GRE | 8 | |
| 31 | AYDIN, Seydanur | TUR | 8 | |

Pool B - Winner
Vainqueur / Sieger

POOL C

| | | | | |
|----|---------------------|-----|----|-----------------------|
| 2 | POULAIN, Juliette | FRA | 9 | POULAIN, J. (FRA) |
| 18 | | | 9 | |
| 10 | KONUK, Kubra | TUR | 10 | |
| 26 | PRIMO, Kerem | ISR | 10 | |
| 6 | SIMIC, Nina | CRO | 11 | |
| 22 | SVENBY, Lisa | SWE | 11 | |
| 14 | | | 12 | XANTHOPOULOU, S (GRE) |
| 30 | XANTHOPOULOU, Sofia | GRE | 12 | |

Pool C - Winner
Vainqueur / Sieger

POOL D

| | | | | |
|----|-------------------------|-----|----|------------------------|
| 4 | PALKA, Agata | POL | 13 | PALKA, Agata (POL) |
| 20 | | | 13 | |
| 12 | TUTUS, Aeyna | TUR | 14 | |
| 28 | MATSIRIDI, Sophia | GRE | 14 | |
| 8 | PAPAGIANNAKI, Alexandra | GRE | 15 | PAPAGIANNAKI, A. (GRE) |
| 24 | | | 15 | |
| 16 | SKALSKA, Anna | CZE | 16 | |
| 32 | MELOSIAN, Noam | ISR | 16 | |

Pool D - Winner
Vainqueur / Sieger

1.

43

Results
Résultat / Platzierungen

- 1.
- 2.
- 3.
- 3.
- 5.
- 5.
- 7.
- 7.

Repechage / Trostrunde

| | | | | | | |
|------|--|----|------|----|------|----|
| [A1] | | | | | | |
| [A2] | | 29 | | 33 | | |
| [B1] | | | [A3] | | | |
| [B2] | | 30 | | 34 | | 39 |
| | | | [B3] | | | |
| [C1] | | | | | [38] | 3. |
| [C2] | | 31 | | 35 | | |
| | | | [C3] | | | |
| [D1] | | | | | 40 | |
| [D2] | | 32 | | 36 | | 42 |
| | | | [D3] | | | |
| | | | | | [37] | 3. |

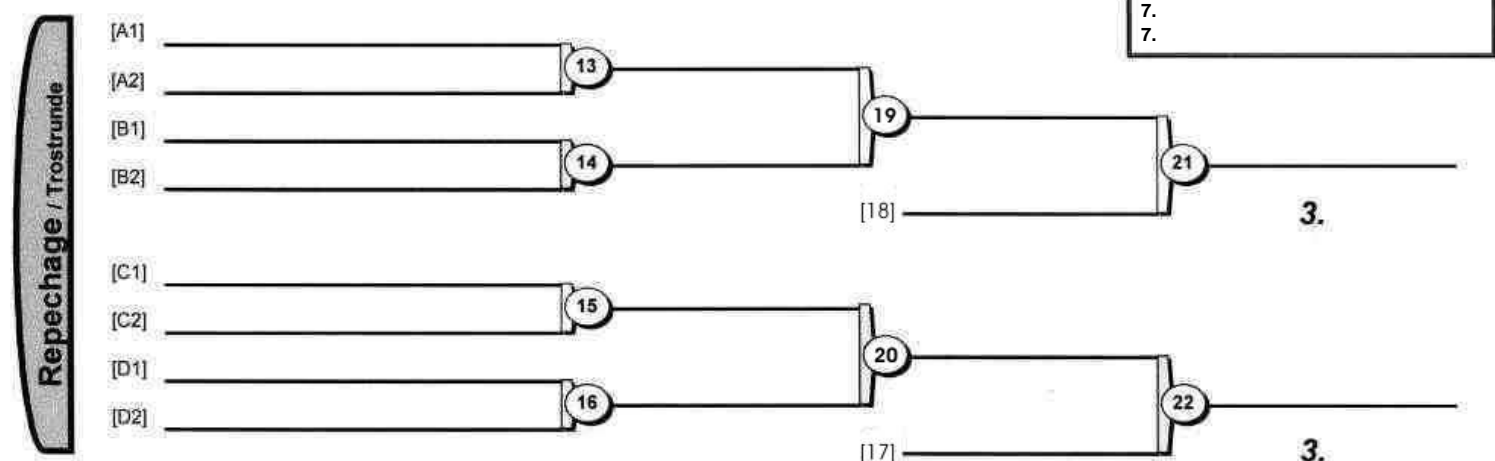
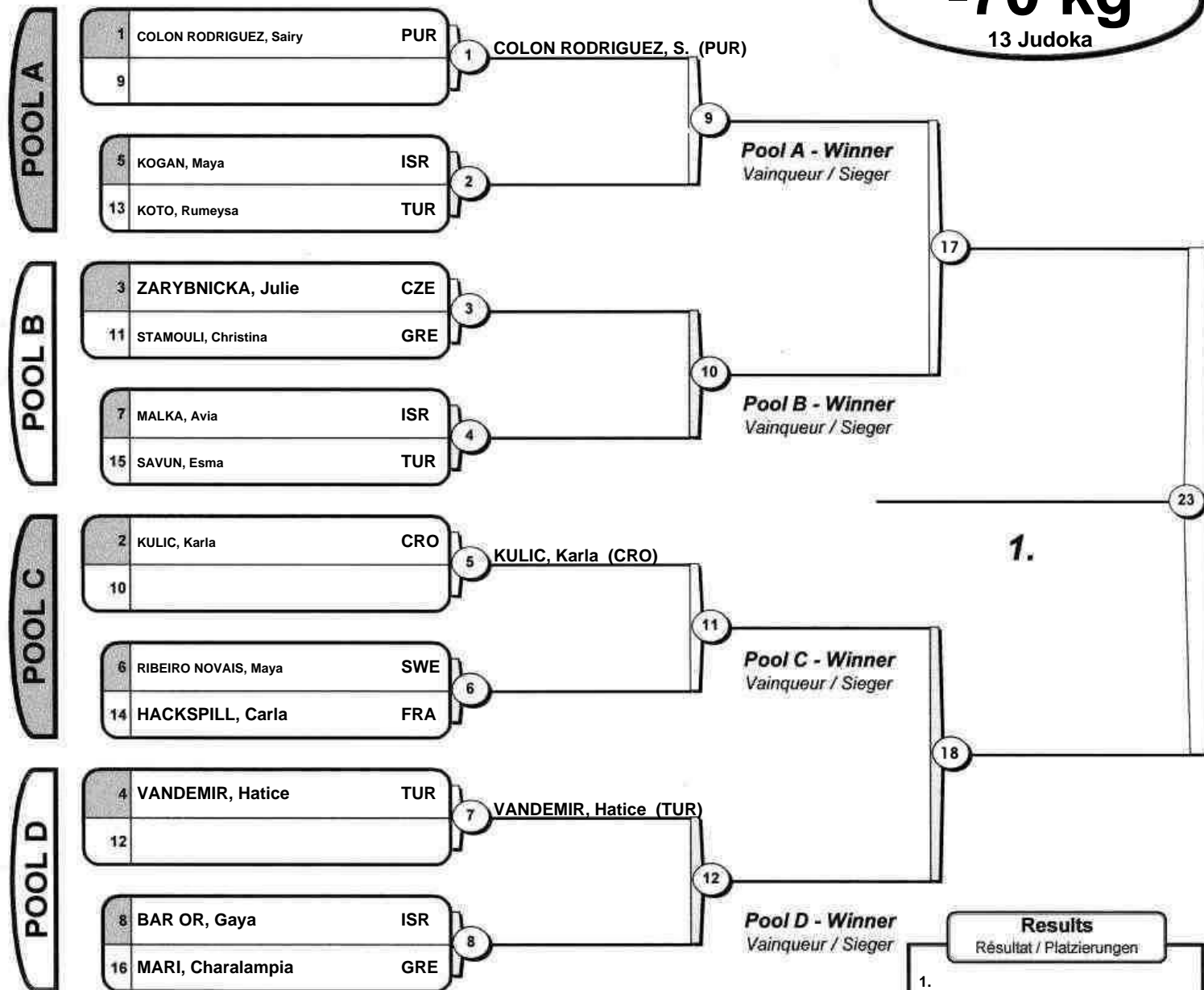


Athens Junior European Cup 2022

Athens (GRE), 26-27 Mar 2022

-70 kg

13 Judoka



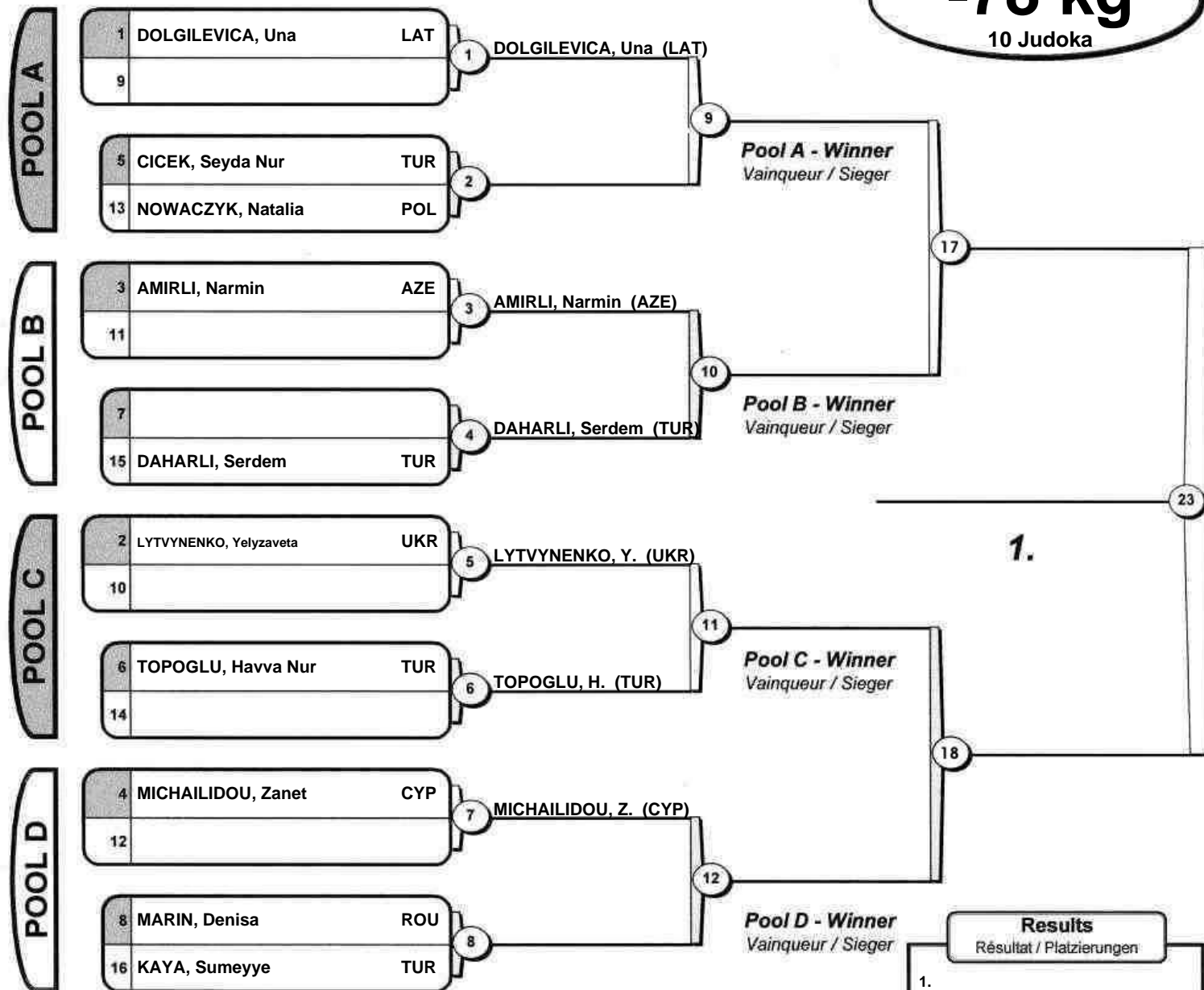


Athens Junior European Cup 2022

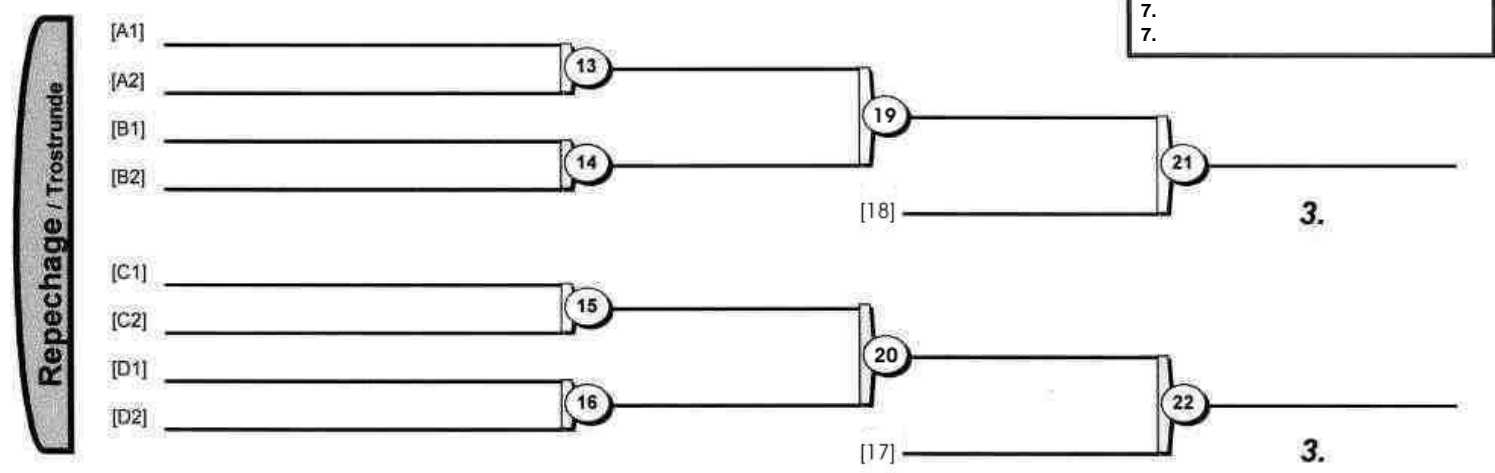
Athens (GRE), 26-27 Mar 2022

-78 kg

10 Judoka



| Results | |
|--------------------------|--|
| Résultat / Platzierungen | |
| 1. | |
| 2. | |
| 3. | |
| 3. | |
| 5. | |
| 5. | |
| 7. | |
| 7. | |



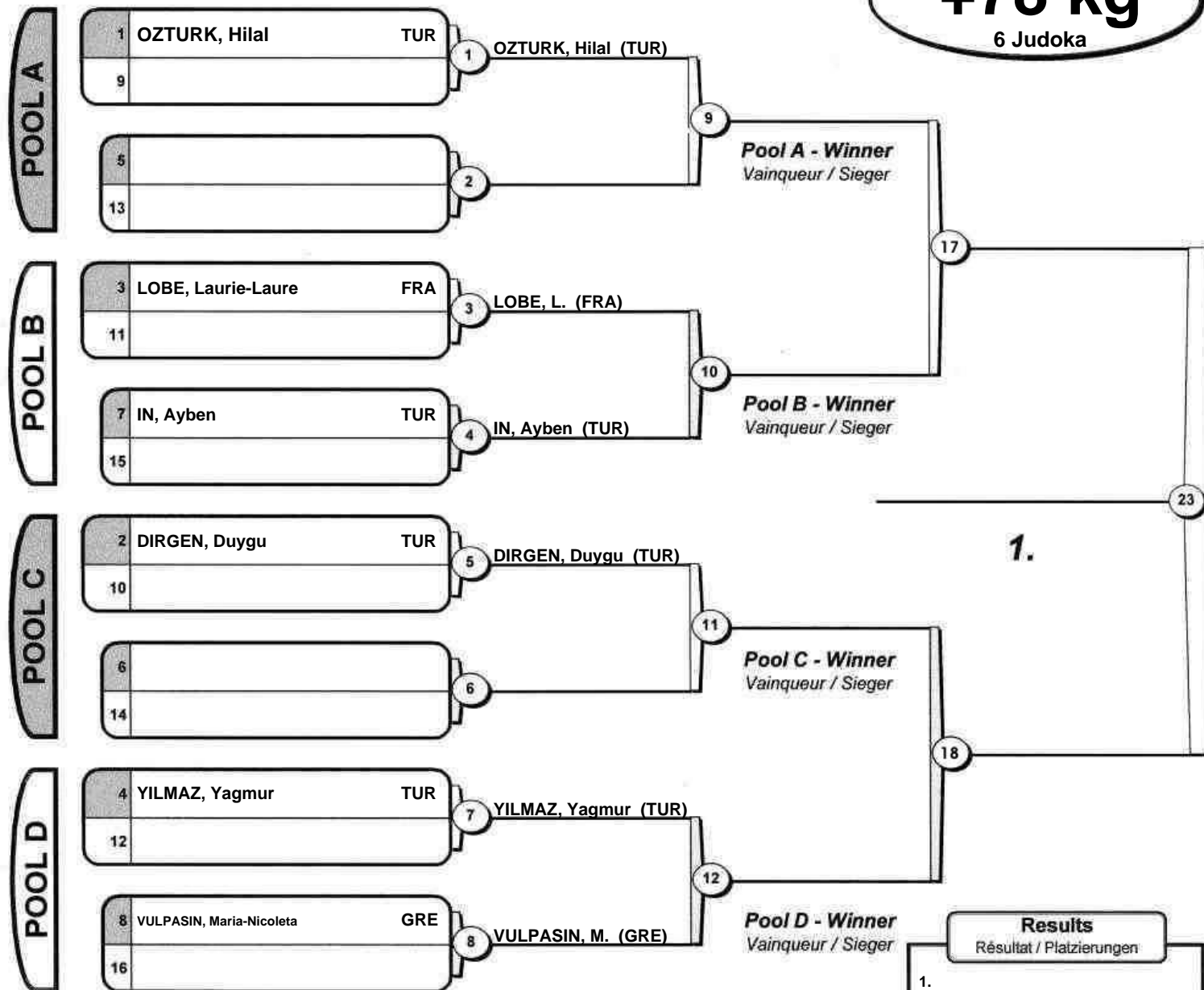


Athens Junior European Cup 2022

Athens (GRE), 26-27 Mar 2022

+78 kg

6 Judoka



| Results | |
|--------------------------|--|
| Résultat / Platzierungen | |
| 1. | |
| 2. | |
| 3. | |
| 3. | |
| 5. | |
| 5. | |
| 7. | |
| 7. | |

